



**STA-RITE®**

OWNER'S MANUAL  
**Convertible Deep Well Jet Pumps**

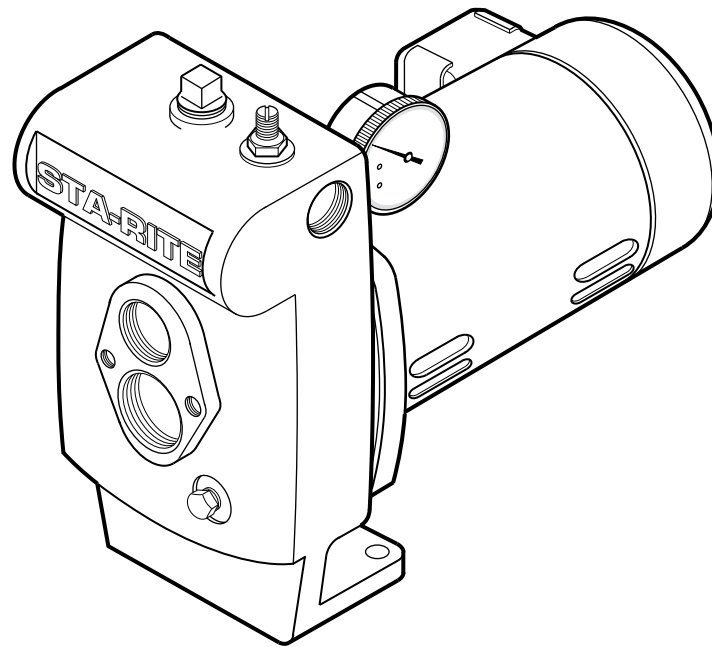
---

NOTICE D'UTILISATION  
**Pompe à éjecteur transformables  
pour puits profonds**

---

MANUAL DEL USUARIO  
**Bombas convertibles tipo "jet"  
para pozos profundos**

---



**Installation/Operation/Parts**

For further operating, installation, or maintenance assistance:

**Call 1-888-782-7483**

**English . . . . .Pages 2-12**

**Installation/Fonctionnement/Pièces**

Pour plus de renseignements concernant l'utilisation, l'installation ou l'entretien,

**Composer le 1 (888) 782-7483**

**Français . . . . .Pages 13-23**

**Instalación/Operación/Piezas**

Para mayor información sobre el funcionamiento, instalación o mantenimiento de la bomba:

**Llame al 1-888-782-7483**

**Español . . . . .Paginas 24-34**

## Important Safety Instructions

SAVE THESE INSTRUCTIONS - This manual contains important instructions that should be followed during installation, operation, and maintenance of the product. Save this manual for future reference.

**⚠** This is the safety alert symbol. When you see this symbol on your pump or in this manual, look for one of the following signal words and be alert to the potential for personal injury!

**⚠ DANGER** indicates a hazard which, if not avoided, *will* result in death or serious injury.

**⚠ WARNING** indicates a hazard which, if not avoided, *could* result in death or serious injury.

**⚠ CAUTION** indicates a hazard which, if not avoided, *could* result in minor or moderate injury.

**NOTICE** addresses practices not related to personal injury.

**Carefully read and follow all safety instructions in this manual and on pump.**

Keep safety labels in good condition.

Replace missing or damaged safety labels.

### California Proposition 65 Warning

**⚠ WARNING** This product and related accessories contain chemicals known to the State of California to cause cancer, birth defects or other reproductive harm.

## Electrical Safety

**⚠ WARNING Risk of electrical shock.** Capacitor voltage may be hazardous. To discharge motor capacitor, hold insulated handle screwdriver **BY THE HANDLE** and short capacitor terminals together. Do not touch metal screwdriver blade or capacitor terminals. If in doubt, consult a qualified electrician.

## General Safety

**⚠ CAUTION Risk of burns.** Do not touch an operating motor. Motors are designed to operate at high temperatures. To avoid burns when servicing pump, allow it to cool for 20 minutes after shut-down before handling.

Do not allow pump or any system component to freeze. To do so will void warranty.

Pump water only with this pump.

Periodically inspect pump and system components.


Wear safety glasses at all times when working on pumps.

Keep work area clean, uncluttered and properly lighted; store properly all unused tools and equipment.

Keep visitors at a safe distance from the work areas.

**⚠ WARNING Risk of explosion.** Pump body may explode if used as a booster pump unless relief valve capable of passing full pump flow at 75 psi is installed.

**⚠ WARNING**




**Hazardous voltage.**  
Can shock, burn, or cause death.

Ground pump before connecting to power supply. Disconnect power before working on pump, motor or tank.

- ⚠** Wire motor for correct voltage. See “Electrical” section of this manual and motor nameplate.
- ⚠** Ground motor before connecting to power supply.
- ⚠** Meet National Electrical Code, Canadian Electrical Code, and local codes for all wiring.
- ⚠** Follow wiring instructions in this manual when connecting motor to power lines.

**⚠ WARNING**



**Hazardous pressure!**  
Install pressure relief valve in discharge pipe. Release all pressure on system before working on any component.

## Limited Warranty

STA-RITE warrants to the original consumer purchaser ("Purchaser" or "You") of the products listed below, that they will be free from defects in material and workmanship for the Warranty Period shown below.

Product	Warranty Period
Water Systems Products — jet pumps, small centrifugal pumps, submersible pumps and related accessories	<i>whichever occurs first:</i> 12 months from date of original installation, or 18 months from date of manufacture
Pro-Source™ Composite Tanks	5 years from date of original installation
Pro-Source™ Steel Pressure Tanks	5 years from date of original installation
Pro-Source™ Epoxy-Lined Tanks	3 years from date of original installation
Sump/Sewage/Effluent Products	12 months from date of original installation, or 18 months from date of manufacture

Our warranty will not apply to any product that, in our sole judgement, has been subject to negligence, misapplication, improper installation, or improper maintenance. Without limiting the foregoing, operating a three phase motor with single phase power through a phase converter will void the warranty. Note also that three phase motors must be protected by three-leg, ambient compensated, extra-quick trip overload relays of the recommended size or the warranty is void.

Your only remedy, and STA-RITE's only duty, is that STA-RITE repair or replace defective products (at STA-RITE's choice). You must pay all labor and shipping charges associated with this warranty and must request warranty service through the installing dealer as soon as a problem is discovered. No request for service will be accepted if received after the Warranty Period has expired. This warranty is not transferable.

STA-RITE SHALL NOT BE LIABLE FOR ANY CONSEQUENTIAL, INCIDENTAL, OR CONTINGENT DAMAGES WHATSOEVER. THE FOREGOING WARRANTIES ARE EXCLUSIVE AND IN LIEU OF ALL OTHER EXPRESS AND IMPLIED WARRANTIES, INCLUDING BUT NOT LIMITED TO THE IMPLIED WARRANTIES OF MERCHANTABILITY AND FITNESS FOR A PARTICULAR PURPOSE. THE FOREGOING WARRANTIES SHALL NOT EXTEND BEYOND THE DURATION EXPRESSLY PROVIDED HEREIN.

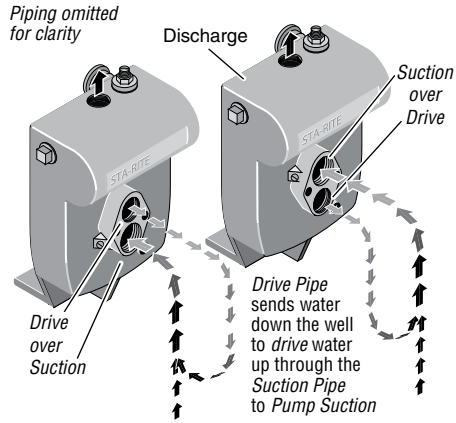
Some states do not allow the exclusion or limitation of incidental or consequential damages or limitations on the duration of an implied warranty, so the above limitations or exclusions may not apply to You. This warranty gives You specific legal rights and You may also have other rights which vary from state to state.

This Limited Warranty is effective June 1, 2011 and replaces all undated warranties and warranties dated before June 1, 2011.

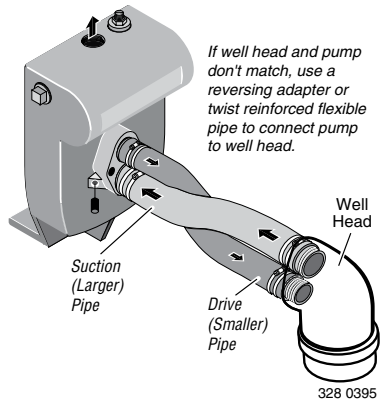
### **STA-RITE INDUSTRIES**

**293 Wright Street • Delavan, WI U.S.A. 53115**

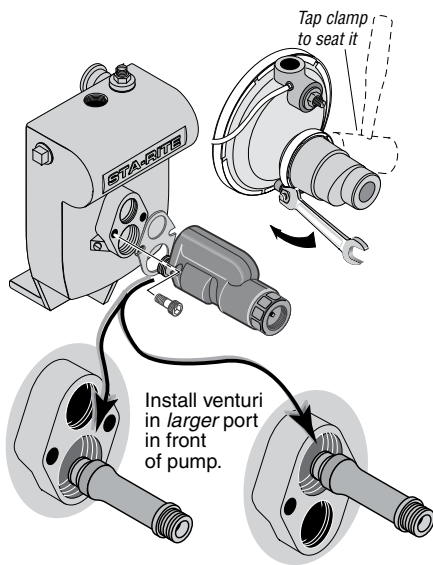
**Phone: 1-888-782-7483 • Fax: 1-800-426-9446 • Web Site: Sta-Rite.com**



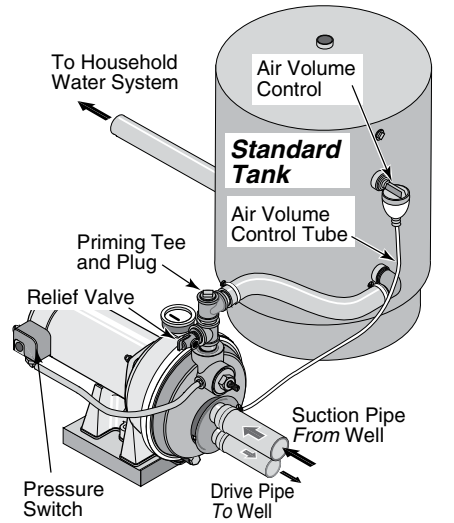
**Figure 1: Drive and Suction Functions**



**Figure 2: Reversed Connections to Well**



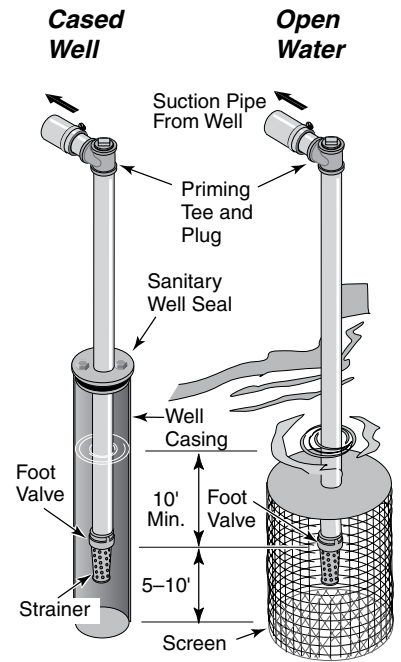
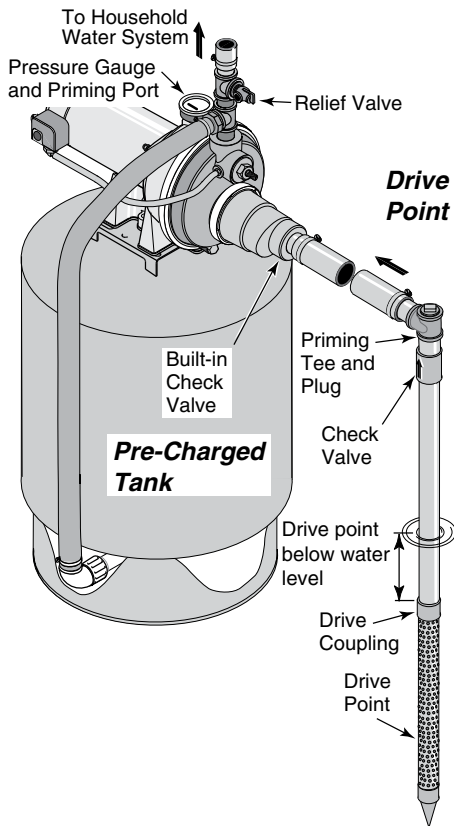
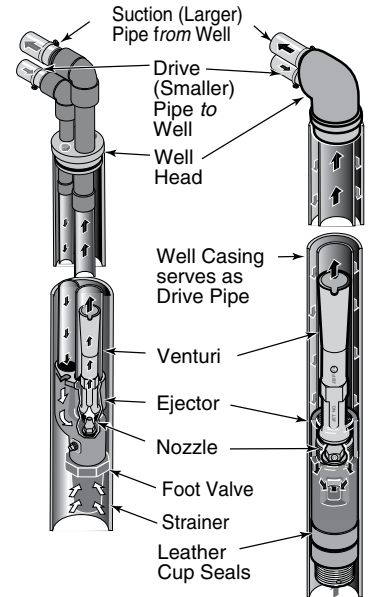
**Figure 3: Mount Ejector – Shallow Well**



**Figure 4: Typical Deep Well Installations**

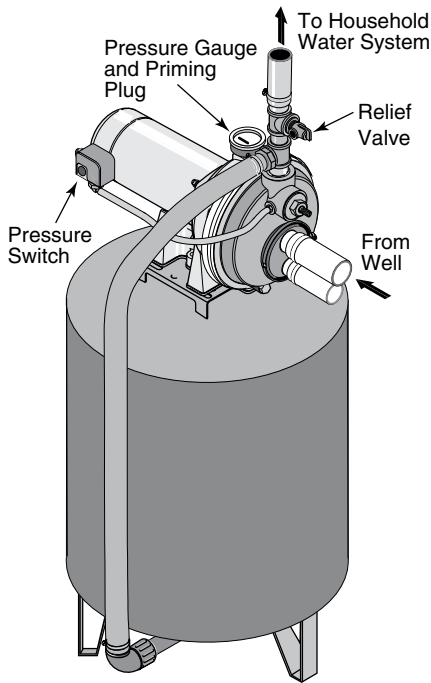
**"Double Pipe"**  
(4" and Larger Diameter Well)

**"Single Pipe"**  
(2" and 3" Diameter Well)



**Figure 5: Typical Shallow Well Installations**

1836 0695



## Pre-Charge Tank Connection (Figure 6)

If your system uses a pre-charged tank, it should be connected to the pump as shown in Figure 6. The relief valve must be capable of passing the entire pump capacity at 100 PSI pressure.

Check the pre-charge of air in the tank with an ordinary tire gauge. the pre-charge is measured when there is no water pressure in the tank. Disconnect power to the pump and drain the tank before checking the pre-charge. Your pump has a 30/50 PSI switch, so the tank pre-charge pressure should be 28 PSI (that is, it should be 2 PSI lower than the cut-in pressure of the pressure switch).

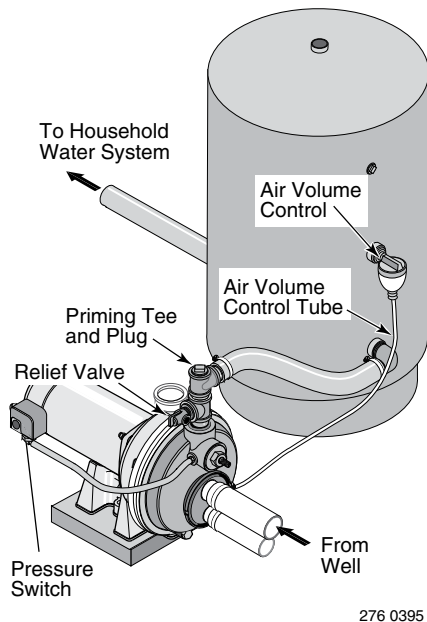
No AVC is required for a pre-charged tank; the 1/8" NPT AVC port on the pump body should be plugged.

## Standard Tank Connection (Figure 7)

If your system uses a standard tank, connect it to the pump as shown in Figure 7. The relief valve used with a standard tank must be capable of passing the entire pump capacity at 75 PSI pressure.

Connect the Air Volume Control (AVC) tube to the 1/8" NPT AVC port on the pump body. Run the tubing from the pump's AVC port to the AVC mounted on the tank. See the instructions provided with tank and AVC for details.

**Figure 6: Pre-charged Tank Connections**



276 0395

**Figure 7: Standard Tank Connections**

### Sealing Pipe Joints

Use only PTFE pipe thread sealant tape or PTFE-based joint compounds for making all threaded connections to the pump itself. **Do not use pipe joint compounds on plastic pumps:** they can react with the plastic in pump components. Make sure that all pipe joints in the suction pipe are air tight as well as water tight. *If the suction pipe can suck air, the pump will not be able to pull water from the well.*

**⚠** Disconnect power before working on pump, motor, pressure switch, or wiring.

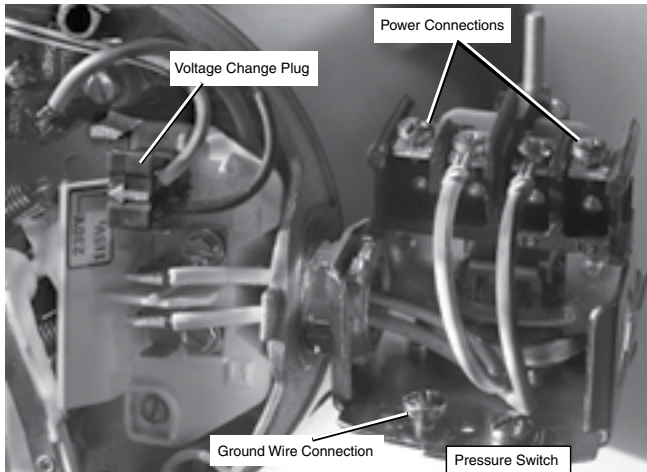
## Motor Switch Settings

**NOTICE:** 1/3 and 1/2 HP motors are dual voltage and are factory set to 115 V. 3/4 & 1 HP motors are also dual voltage, but are factory set to 230 V. Motor terminal board (located under the motor end cover) should look like that shown below. Use the instructions to set your motor to match your power source.

**⚠ WARNING** Never connect a motor set to 115 V to a 230 V power source.

### Plug Type Voltage Selector

Voltage is set to 230 V. To change to 115 V:



**Figure 8: Voltage set to 230 V, Plug Type**

1. Make sure power is off.
2. Pull the voltage change plug off of the tabs.
3. Move the voltage change plug to the 115 V position. The plug will now cover 2 metal tabs and the arrow on the plug will line up with the 115V arrow on the label (see Figure 9).

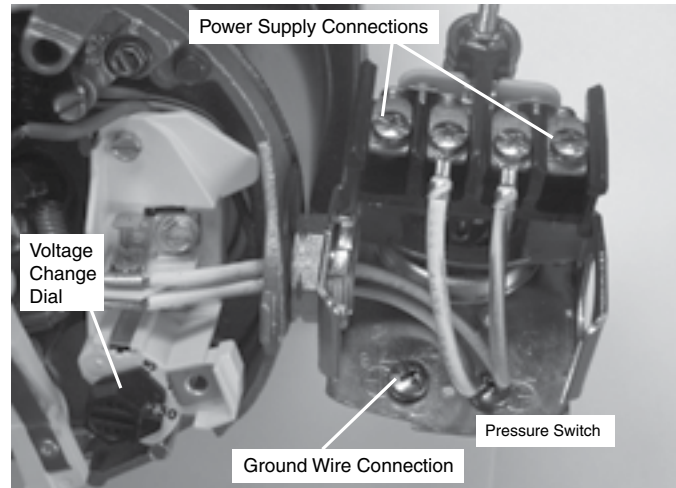


**Figure 9: Voltage set to 115 V, Plug Type**

4. Attach the incoming power leads to the two outer screws on the pressure switch as shown in Figure 8.
5. Attach the ground wire to one of the grounding connections, shown in Figure 8.
6. If there are other wires, they should be capped.
7. Reinstall the motor end and pressure switch covers.

### Dial Type Voltage Selector

Voltage is set to 230 V. To change to 115 V:



**Figure 10: Voltage set to 230 V, Dial Type**

1. Make sure power is off.
2. Turn the dial counter-clockwise until 115 shows in the dial window as shown in Figure 11.



**Figure 11: Voltage set to 115 V, Dial Type**

3. Attach the incoming power leads to the two outer screws on the pressure switch as shown in Figure 10.
4. Attach the ground wire to the grounding connections as shown in Figure 10.
5. If there are other wires, they should be capped.
6. Reinstall the motor end and pressure switch covers.

**⚠ WARNING Hazardous voltage.** Can shock, burn, or kill. Connect ground wire before connecting power supply wires. Use the wire size (including the ground wire) specified in the wiring chart. If possible, connect the pump to a separate branch circuit with no other appliances on it.

**⚠ WARNING Explosion hazard.** Do not ground to a gas supply line.

## Wiring Connections

**⚠ WARNING Fire hazard.** Incorrect voltage can cause a fire or seriously damage the motor and voids the warranty. The supply voltage must be within  $\pm 10\%$  of the motor nameplate voltage.

**NOTICE:** Dual-voltage motors may be set for 115 V or 230 V. If necessary, reset the motor to the desired voltage, as shown. Do not alter the wiring in single voltage motors.

Install, ground, wire, and maintain your pump in compliance with the National Electrical Code (NEC) or the Canadian Electrical Code (CEC), as applicable, and with all local codes and ordinances that apply. Consult your local building inspector for code information.

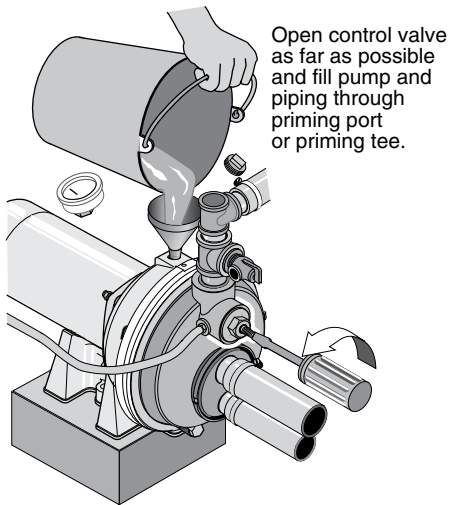
## Connection Procedure:

1. Connect the ground wire first as shown in Figure 8. The ground wire must be a solid copper wire at least as large as the power supply wires.
2. There must be a solid metal connection between the pressure switch and the motor for motor grounding protection. If the pressure switch is not connected to the motor, connect the green ground screw in the switch to the green ground screw under the motor end cover. Use a solid copper wire at least as large as the power supply wires.
3. Connect the ground wire to a grounded lead in a service panel, to a metal underground water pipe, to a metal well casing at least ten feet (3 m) long, or to a ground electrode provided by the power company or the hydro authority.
4. Connect the power supply wires to the pressure switch as shown in Figure 8.

## Wiring Chart – Recommended Wire and Fuse Sizes

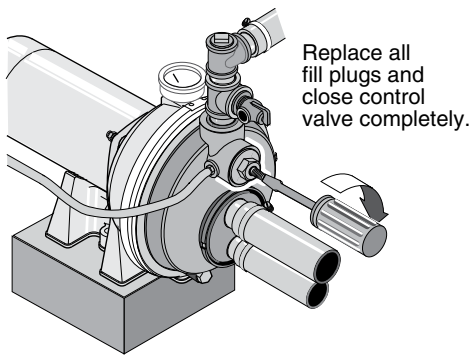
Model	HP	Max Load Amps	Branch Fuse Rating Amps	Distance in Feet (Meters); Wire Size AWG (mm <sup>2</sup> )				
				0-100 (0-30)	101-200 (31-61)	201-300 (62-91)	301-400 (92-122)	401-500 (123-152)
<b>115 Volts:</b>								
PLB	1/3	9.4	15	14 (2)	10 (5.5)	10 (5.5)	6 (14)	6 (14)
PLC	1/2							
FLC, FSLCH	3/4	12.2	20	12 (3)	8 (8.4)	8 (8.4)	6 (14)	4 (21)
PLD								
FLD, FSLDH	1	14.8			8 (8.4)	6 (14)		
PLE	1							
PLF	1-1/2	19.2	25	10 (5.5)			4 (21)	
<b>230 Volts:</b>								
PLB	1/3	4.7	15	14 (2)	14 (2)	14 (2)	14 (2)	12(3)
PLC	1/2							
FLC, FSLCH	3/4	6.1	15	14 (2)	14 (2)	14 (2)	12 (3)	10 (5.5)
PLD								
FLD, FSLDH	1	7.4						
PLE	1							
PLF	1-1/2	9.6				12 (3)	10 (5.5)	





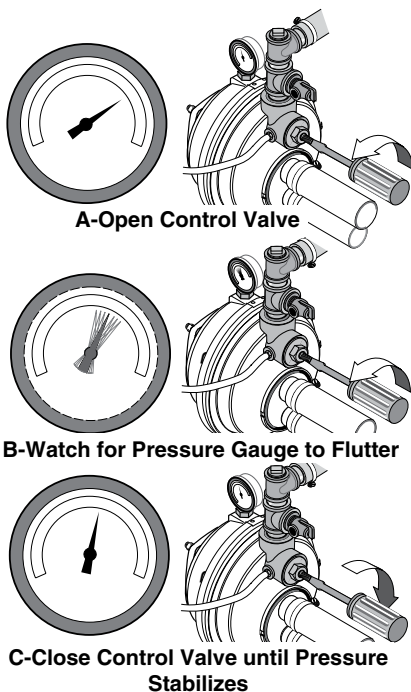
**Figure 12: Fill Pump**

280 0395



**Figure 13: Prime Pump**

556 0395



**Figure 14: Set Control Valve**

281 0395

## Priming

**⚠ WARNING** **Explosion hazard.** Never run pump against closed discharge. To do so can boil water inside pump, causing hazardous pressure in unit, risk of explosion and possibly scalding persons handling pump.

**⚠ CAUTION** **Risk of burns.** Never run pump dry. Running pump without water may cause pump to overheat, damaging seal and possibly causing burns to persons handling pump. Fill pump with water before starting.

1. Open the control valve as far as possible (see Figure 12). Then remove the priming plug from the pump and fill the pump, fill all piping between the pump and the well, and make sure that all piping in the well is full. If you have also installed a priming tee in the suction piping, remove the plug from the tee and fill the suction piping.
2. Replace all fill plugs and close the control valve completely (Figure 13).
3. Power on! Start the pump and watch the pressure gauge. The pressure should build rapidly to 50 PSI as the pump primes.
4. After 2 or 3 minutes, the gauge should show pressure. If not, stop the pump, remove the fill plugs, reopen the control valve, and refill the pump and piping. You may have to repeat this two or three times in order to get all the trapped air out of the piping. Don't forget to close the control valve each time before you start the pump.
5. When pressure has built up and stabilized at about 50 PSI, slowly open the control valve (see Figure 14) and let the pressure drop until the pressure gauge needle starts to flutter. When the needle flutters, close the valve just enough to stop the flutter (see Figure 14). Your pump is now operating at its most efficient point.
6. After the pump has built up pressure in the system and shut off, check the pressure switch operation by opening a faucet or two and running enough water out to bleed off pressure until the pump starts. The pump should start when pressure drops to 30 PSI and stop when pressure reaches 50 PSI. Run the pump through one or two complete cycles to verify correct operation. This will also help clean the system of dirt and scale dislodged during installation.
7. (PL Series pumps only). Check for leaks around band clamp. If pump is leaking, tighten clamp nut 1-2 turns. Do not overtighten.

**NOTICE:** Due to normal irregularities in the cup seal leather and the inner walls of the casing, packer jets do not form a perfect seal. In a dormant system, pressure will leak off over time, causing pump to cycle periodically to maintain system pressure level.



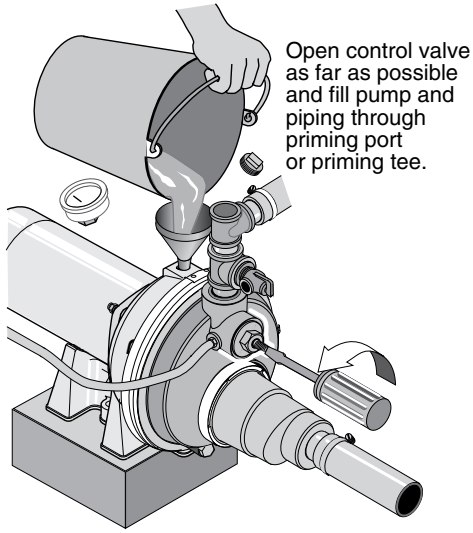


Figure 15: Open Control Valve

284 0395

### Priming

**⚠ WARNING** **Explosion hazard.** Never run pump against closed discharge. To do so can boil water inside pump, causing hazardous pressure in unit, risk of explosion and possibly scalding persons handling pump.

**⚠ CAUTION** **Risk of burns.** Never run pump dry. Running pump without water may cause pump to overheat, damaging seal and possibly causing burns to persons handling pump. Fill pump with water before starting.

1. Open the control valve as far as possible (see Figure 15). Then remove the priming plug from the pump and fill the pump, fill all piping between the pump and the well, and make sure that all piping in the well is full. If you have also installed a priming tee in the suction piping, remove the plug from the tee and fill the suction piping.
2. Replace all fill plugs. Leave the control valve open (in a shallow well installation, the control valve always stays open).
3. Power on! Start the pump. The pump should pump water in two or three minutes.
4. If you don't have water after 2 or 3 minutes, stop the pump and remove the fill plugs. Refill the pump and piping. You may have to repeat this two or three times in order to get all the trapped air out of the piping. The control valve remains open throughout this procedure.
5. After the pump has built up pressure in the system and shut off, check the pressure switch operation by opening a faucet or two and running enough water out to bleed off pressure until the pump starts. The pump should start when pressure drops to 30 PSI and stop when pressure reaches 50 PSI. Run the pump through one or two complete cycles to verify correct operation. This will also help clean the system of dirt and scale dislodged during installation.
6. (PL Series pumps only). Check for leaks around band clamp. If pump is leaking, tighten clamp nut 1-2 turns. Do not overtighten.

	<p><b>NOTICE</b></p> <p>Pump and piping will be damaged if frozen and not drained.</p> <p>Follow winterizing instructions.</p>
--	--

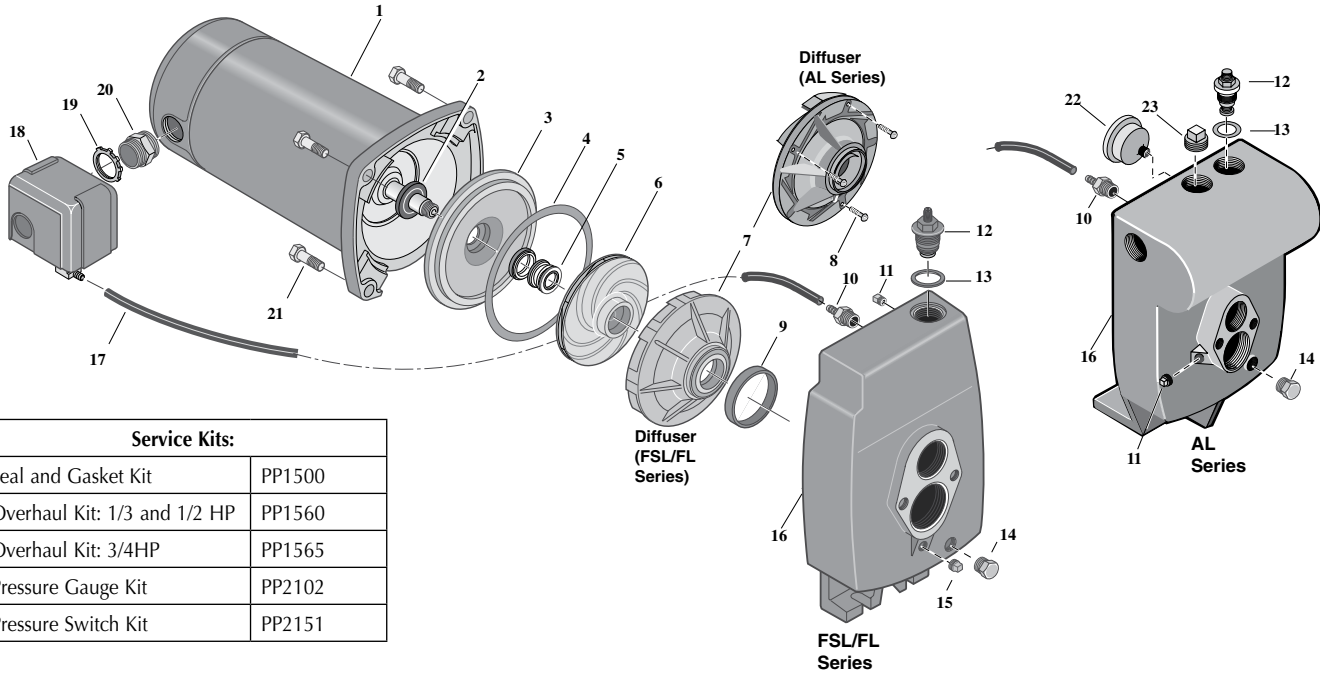
### Winterizing the Pump

To prepare the pump for freezing temperatures:

1. Shut off power to the pump.
2. Relieve system pressure. Open a faucet and let it drain until water stops flowing.
3. Drain the pump. Your pump may have a separate drain plug. Remove this plug and let it drain.

Your pump may only have a plug or connection on the side of the pump. Remove this and let the pump drain. Some water will remain in the pump. A small amount of water left in the pump will not harm it if it freezes.

Symptom	Possible Cause(s)	Corrective Action
Motor will not run	Disconnect switch is off	Be sure switch is on.
	Fuse is blown or circuit breaker tripped	Replace fuse or reset circuit breaker.
	Starting switch is defective	DISCONNECT POWER; Replace starting switch.
	Wires at motor are loose, disconnected, or wired incorrectly	Refer to instructions on wiring (Page 9). DISCONNECT POWER; check and tighten all wiring. <b>⚠️ WARNING Hazardous voltage.</b> Capacitor voltage may be hazardous. To discharge capacitor, hold insulated handle screwdriver BY THE HANDLE and short capacitor terminals together. Do not touch metal screwdriver blade or capacitor terminals. If in doubt, consult a qualified electrician.
	Pressure switch contacts are dirty	DISCONNECT POWER and file contacts with emery board or nail file.
Motor runs hot and overload kicks off	Motor is wired incorrectly	Refer to instructions on wiring.
	Voltage is too low	Check with power company. Install heavier wiring if wire size is too small (See Electrical / Wiring Chart).
	Pump cycles too frequently	See section below on too frequent cycling.
Motor runs but no water is delivered*  * Stop pump; then check prime before looking for other causes. Unscrew priming plug and see if water is in priming hole.	Pump in new installation did not pick up prime through: 1. Improper priming 2. Air leaks 3. Leaking foot valve or check valve	In new installation: 1. Re-prime according to instructions. 2. Check all connections on suction line, AVC, and ejector with soapy water or shaving cream. 3. Replace foot valve or check valve.
	Pump has lost prime through: 1. Air leaks 2. Water level below suction pipe inlet	In installation already in use: 1. Check all connections on suction line and shaft seal. 2. Lower suction line into water and re-prime. If receding water level in well exceeds 25' (7.6M), a deep well pump is needed.
	Foot valve or strainer is plugged	Clean foot valve or strainer.
	Ejector or impeller is plugged	Clean ejector or impeller.
	Check valve or foot valve is stuck shut	Replace check valve or foot valve.
	Pipes are frozen	Thaw pipes. Bury pipes below frost line. Heat pit or pump house.
	Foot valve and/or strainer are buried in sand or mud	Raise foot valve and/or strainer above bottom of water source. Clean foot valve and strainer.
	Water level is too low for shallow well setup to deliver water	A deep well jet will be needed if your well is more than 25' (7.6M) depth to water.
Pump does not deliver water to full capacity (Also check point 3 immediately above)	Water level in well is lower than estimated	A new nozzle and venturi combination may be needed.
	Steel piping (if used) is corroded or limed, causing excess friction	Replace with plastic pipe where possible, otherwise with new steel pipe.
	Piping is too small in size	Use larger piping.
Pump delivers water but does not shut off or pump cycles too frequently	Pressure switch is out of adjustment or contacts are welded together	DISCONNECT POWER; adjust or replace pressure switch.
	Faucets have been left open	Close faucets.
	Venturi, nozzle or impeller is clogged	Clean venturi, nozzle or impeller.
	Standard pressure tank is waterlogged and has no air cushion	Drain tank to air volume control port. Check AVC for defects. Check all connections for air leaks.
	Pipes leak	Check connections.
	Foot valve leaks	Replace foot valve.
	Pressure switch is out of adjustment	Adjust or replace pressure switch.
	Air charge too low in pre-charged tank	DISCONNECT POWER and open faucets until all pressure is relieved. Using tire pressure gauge, check air pressure in tank at valve stem located on the tank. If less than pressure switch cut-in setting (30-50 PSI), pump air into tank from outside source until air pressure is 2 PSI less than cut-in setting of switch. Check air valve for leaks (use soapy solution) and replace core if necessary.
Air spurts from faucets	Pump is picking up prime	When pump has picked up prime, it should pump solid water with no air.
	Leak in suction side of pump	Suction pipe is sucking air. Check joints for leaks with soapy water.
	Well is gaseous	Consult factory about installing a sleeve in the well.
	Intermittent over-pumping of well. (Water drawn down below foot valve.)	Lower foot valve if possible, otherwise restrict pump discharge.

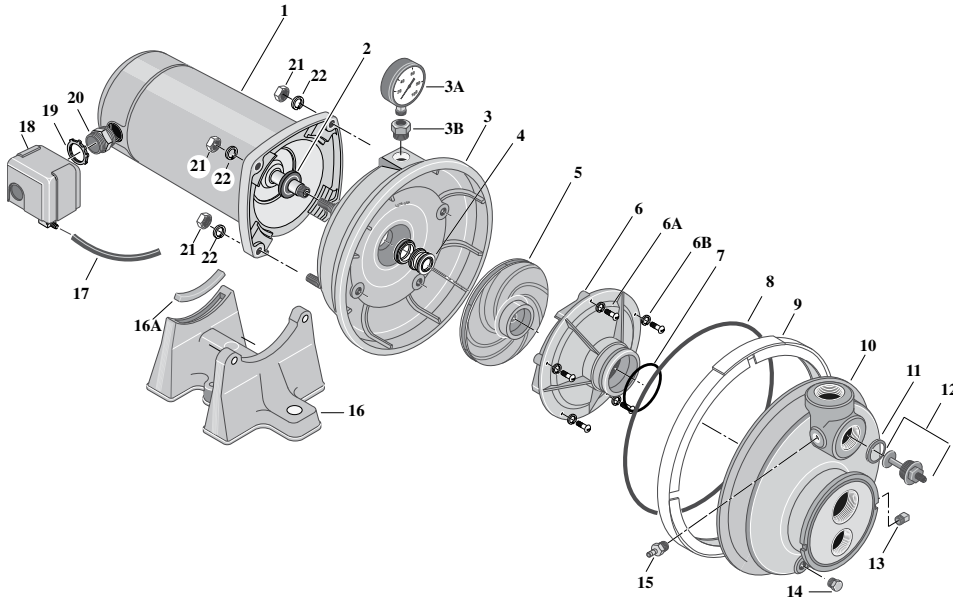


Service Kits:	
Seal and Gasket Kit	PP1500
Overhaul Kit: 1/3 and 1/2 HP	PP1560
Overhaul Kit: 3/4HP	PP1565
Pressure Gauge Kit	PP2102
Pressure Switch Kit	PP2151

## Repair Parts – Cast Iron Jet Pumps

Ref.	Part Description	Qty.	FSLCH-L, FLC-L 1/2 HP	FSLDH-L, FLD-L 3/4 HP
1	Motor	1	J218-582A-115-PKG	A100DLL
2	Water Slinger	1	17351-0009	17351-0009
3	Seal Plate	1	N3-1043P	N3-1043P
4	Seal Plate Gasket	1	N20-35	N20-35
5	Shaft Seal	1	U109-6A	U109-6A
6	Impeller	1	J105-40P	J105-86P
7	Diffuser	1	L1-25P	L1-48P
8	Diffuser, Screws	3	-	-
9	Diffuser Ring	1	L21-1	L21-1
10	Barbed Fitting – Straight	1	U111-211T	U111-211T
11	Pipe Plug, 1/8" Sq. Hd	1	U78-56ZPS	U78-56ZPS
12	Control Valve Assembly	1	01322	01322
13	Control Valve Gasket	1	L20-39	L20-39
14	Drain Plug		U78-941ZPV	U78-941ZPV
15	Priming Plug	1	U78-959T	U78-959T
16	Pump Body	1	L76-44	L76-44
17	Switch Tube	1	U37-672P	U37-672P
•	Barbed Fitting – Elbow	1	-	-
18	Pressure Switch	1	U217-1202	U217-1202
19	Lock Nut	1	U36-112ZP	U36-112ZP
20	Connector	1	L43-5C	L43-5C
21	3/8-16x1-1/2" Capscrews	4	U30-75ZP	U30-75ZP
22	Pressure Gauge		-	-
23	Pipe Plug, 1/2" Sq. Hd.	1	-	-

• Not illustrated.



Service Kits:	
Seal and Gasket Kit	PP1500
Overhaul Kit: 1/3 and 1/2 HP	PP1511
Overhaul Kit: 3/4HP	PP1512
Overhaul Kit: 1 HP	PP1513
Overhaul Kit: 1-1/2 HP	PP1514
Pressure Gauge Kit	PP2102
Pressure Switch Kit	PP2151


## Repair Parts – Corrosion Resistant Jet Pumps

Ref.	Part Description	Qty.	PLB-2L 1/3 HP	PLC-2L 1/2 HP	PLD-2L 3/4 HP	PLE-2L 1 HP	PLF-2L 1-1/2 HP
1	Motor	1	J218-582A-115-PKG	J218-582A-115-PKG	A100DLL	A100ELL	A100FLL
2	Water Slinger	1	17351-0009	17351-0009	17351-0009	17351-0009	17351-0009
3	Seal Plate	1	L176-47P	L176-47P	L176-47P	L176-47P	L176-47P
3A	Pressure Gauge	1	U239-3	U239-3	U239-3	U239-3	U239-3
3B	Reducer, 1/2x1/8 NPT	1	U78-107PT	U78-107PT	U78-107PT	U78-107PT	U78-107PT
4	Shaft Seal	1	U109-6A	U109-6A	U109-6A	U109-6A	U109-6A
5	Impeller	1	J105-40PE	J105-40PE	J105-42PT	J105-8PAN	J105-22PA
6	Diffuser	1	J1-39P	J1-39P	J1-39P	J1-40P	J1-40PA
6A	Diffuser Screws	5	U30-542SS	U30-542SS	U30-542SS	U30-542SS	U30-542SS
6B	Washer, #8	5	U43-21SS	U43-21SS	U43-21SS	U43-21SS	U43-21SS
7	Diffuser O-Ring	1	U9-199	U9-199	U9-199	U9-199	L21-1
8	O-Ring, V-Clamp Assembly	1	U9-399	U9-399	U9-399	U9-399	U9-399
9	"V" Clamp Assembly	1	C19-54SS	C19-54SS	C19-54SS	C19-54SS	-
10	Pump Body	1	L76-37P	L76-37P	L76-37P	L76-37P	L76-37P
11	Gasket	1	L20-40	L20-40	L20-40	L20-40	L20-40
12	Regulator	1	J198-20	J198-20	J198-20	J198-20	J198-20
13	Pipe Plug	1	WC78-41T	WC78-41T	WC78-41T	WC78-41T	WC78-41T
14	Drain Plug	1	U78-941ZPV	U78-941ZPV	U78-941ZPV	U78-941ZPV	U78-941ZPV
15	Barbed Fitting – Straight	1	U111-211T	U111-211T	U111-211T	U111-211T	U111-211T
16	Base	1	C4-42P	C4-42P	C4-42P	C4-42P	C4-42P
16A	Motor Pad	1	C35-11	C35-11	C35-11	C35-11	C35-11
17	Switch Tube	1	U37-671P	U37-671P	U37-671P	U37-671P	U37-677P
•	Barbed Fitting – Elbow	1	U111-212T	-	-	-	-
18	Pressure Switch	1	U217-1216	U217-1202	U217-1202	U217-1202	U217-1202
19	Lock Nut	1	U36-112ZP	U36-112ZP	U36-112ZP	U36-112ZP	U36-112ZP
20	Connector	1	L43-5C	L43-5C	L43-5C	L43-5C	L43-5C
21	Hex Nut, 5/16 - 18	4	U36-37ZP	U36-37ZP	U36-37ZP	U36-37ZP	U30-75ZP
22	Washer, 5/16	2	U43-61ZP	U43-61ZP	U43-61ZP	U43-61ZP	U43-61ZP

• Not illustrated.

## Directives de sécurité importantes

**Conservez ces directives** – Ce manuel renferme d'importantes directives qu'il faut suivre durant l'installation et l'entretien de la pompe.

Ce symbole  indique qu'il faut être prudent. Lorsque ce symbole apparaît sur la pompe ou dans cette Notice, rechercher une des mises en garde qui suivent, car elles indiquent un potentiel de blessures corporelles!

Le mot signal **▲ DANGER** indique un danger qui, s'il n'est pas évité, *causera* la mort ou des blessures graves.

Le mot signal **▲ AVERTISSEMENT** indique un risque qui, s'il n'est pas évité, *pourrait causer* la mort ou des blessures graves.

Le mot signal **▲ ATTENTION** indique un risque qui, s'il n'est pas évité, *pourrait causer* des blessures mineures ou modérées.


Le mot **AVIS** est utilisé pour les pratiques qui ne sont pas reliées aux blessures personnelles.




Lire attentivement toutes les consignes de sécurité contenues dans cette Notice ou collées sur la pompe.


Garder les autocollants de sécurité en bon état; les remplacer s'ils manquent ou s'ils ont été endommagés.

### Avertissement lié à la Proposition 65 de la Californie

**▲ AVERTISSEMENT** Ce produit et les accessoires connexes contiennent des produits chimiques reconnus dans l'État de la Californie comme pouvant provoquer des cancers, des anomalies congénitales ou d'autres dangers relatifs à la reproduction.

 <b>AVERTISSEMENT</b>

<p><b>Tension dangereuse.</b> Risque de secousses électriques, de brûlures, voire de mort.</p> <p>Mettre à la terre la pompe avant de la brancher sur le courant électrique. Couper l'arrivée de courant avant d'intervenir sur la pompe, sur le moteur ou sur le réservoir.</p>

-  **Câbler le moteur en fonction de la bonne tension. Voir la Section «Électricité» de cette Notice et la plaque signalétique du moteur.**
-  **Mettre à la terre le moteur avant de le brancher sur le courant électrique.**
-  **Conforme au Code national de l'électricité, au Code canadien de l'électricité et aux codes municipaux pour tous les câblages.**

 **Respecter les instructions de câblage figurant dans cette Notice lorsque l'on branche le moteur sur une ligne haute tension.**

## Sécurité concernant l'électricité

**▲ AVERTISSEMENT Tension dangereuse.** Pour décharger le condensateur du moteur, tenir un tournevis à manche isolé **PAR LE MANCHE** et mettre en court-circuit les bornes du condensateur. Ne pas toucher la lame métallique du tournevis ni les bornes du condensateur. En cas de doute, consulter un électricien qualifié.

## Sécurité générale

**▲ ATTENTION Risque de brûlures.** Ne pas toucher un moteur qui fonctionne. Les moteurs sont conçus pour fonctionner par des températures élevées. Pour ne pas se brûler lorsque l'on interviendra sur la pompe, la laisser refroidir pendant 20 minutes après l'avoir arrêtée avant de la toucher.

Ne pas laisser geler la pompe ni aucun autre élément du système, sinon la garantie sera annulée.

Ne pomper que de l'eau avec cette pompe.



Périodiquement, inspecter la pompe et tous les éléments du système.

Toujours porter des lunettes de sécurité lorsque l'on intervient sur une pompe.

Garder la zone de travail propre, non encombrée et bien éclairée; tous les outils et tout l'équipement non utilisés doivent être entreposés correctement.

Ne pas laisser les visiteurs s'approcher de la zone de travail.

**▲ AVERTISSEMENT Risque d'explosion.** Le corps de la pompe peut exploser si la pompe est utilisée en tant que pompe de surpression, à moins qu'une soupape de sûreté pouvant laisser passer le débit maximum de la pompe à 75 lb/po<sup>2</sup> soit posée.

	 <b>AVERTISSEMENT</b>
	<p><b>Pression dangereuse!</b></p> <p>Poser une soupape de sûreté sur le tuyau de refoulement.</p> <p>Dissiper toute la pression du système avant d'intervenir sur un élément.</p>

## Garantie limitée

STA-RITE garantit au consommateur initial (ci-après appelé l'« Acheteur ») que les produits énumérés dans les présentes sont exempts de défaut de matériau et de fabrication pendant la durée des garanties à compter de la durée des garanties indiquées ci-dessous.

Produits	Durée des garanties
Produits de systèmes d'eau — Pompes à éjecteur, petites pompes centrifuges, pompes submersibles et tous les accessoires connexes	<i>Selon le premier terme atteint :</i> 12 mois à compter de la date de la première installation ou 18 mois à compter de la date de fabrication
Réservoirs composites Pro-Source™	5 ans à compter de la date de la première installation
Réservoirs sous pression en acier Pro-Source™	5 ans à compter de la date de la première installation
Réservoirs revêtus d'époxyde Pro-Source™	3 ans à compter de la date de la première installation
Produits de puisard/d'égout/d'effluents	12 mois à compter de la date de la première installation ou 18 mois à compter de la date de fabrication

Nos garanties ne s'appliquent pas aux produits ayant fait l'objet de négligence, d'une mauvaise utilisation, d'une mauvaise installation ou d'un manque d'entretien adéquat. Sans aucune limitation des présentes, la garantie des moteurs triphasés submersibles sera nulle et non avenue si ces moteurs sont branchés et fonctionnent sur le courant monophasé par l'intermédiaire d'un déphaseur. Il faut également noter que les moteurs triphasés doivent être protégés par un relais de surcharge tripolaire thermocompensé à déclenchement extrêmement rapide du calibre recommandé, sinon la garantie sera nulle et non avenue.

Le seul recours de l'Acheteur et la seule responsabilité de STA-RITE consistent à réparer ou à remplacer (au choix de STA-RITE) les produits qui se révéleraient défectueux. L'Acheteur s'engage à payer tous les frais de main d'œuvre et d'expédition du produit couvert par sa garantie et de s'adresser au concessionnaire-installateur ayant procédé à l'installation dès qu'un problème est découvert pour obtenir un service sous garantie. Aucune demande de service en vertu de sa garantie ne sera acceptée après expiration de la durée de sa garantie. Ces garanties ne sont pas transférables.

STA-RITE DÉCLINE TOUTE RESPONSABILITÉ POUR TOUT DOMMAGE INDIRECT OU FORTUIT QUEL QU'IL SOIT.

LA GARANTIE LIMITÉE SUSMENTIONNÉE EST EXCLUSIVE ET REMPLACE TOUTES LES AUTRES GARANTIES EXPRESSES ET TACITES, Y COMPRIS, MAIS SANS S'Y LIMITER, LES GARANTIES DE QUALITÉ MARCHANDE ET D'ADAPTATION À UN USAGE PARTICULIER. LA GARANTIE LIMITÉE SUSMENTIONNÉE NE DOIT PAS ÊTRE PROLONGÉE AU-DELÀ DE LA DURÉE PRÉVUE AUX PRÉSENTES.

Certains états, territoires et certaines provinces ne permettent pas l'exclusion ou la limitation des dommages indirects ou fortuits, ni les limitations relatives à la durée des garanties tacites. Par conséquent, il se peut que les limitations ou les exclusions stipulées dans les présentes ne s'appliquent pas dans ce cas. Ces garanties accordent des droits juridiques précis, bien que l'on puisse bénéficier d'autres droits, selon la province, le territoire ou l'état dans lequel on réside.

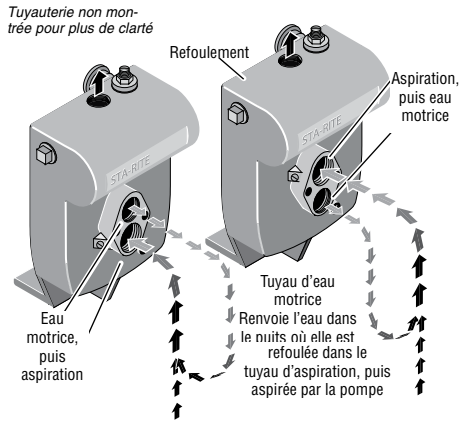
La présente garantie limitée est entrée en vigueur le 1er juin 2011 et remplace toute garantie non datée ou antérieure à cette date.

### STA-RITE INDUSTRIES

**293 Wright Street • Delavan, WI U.S.A. 53115**

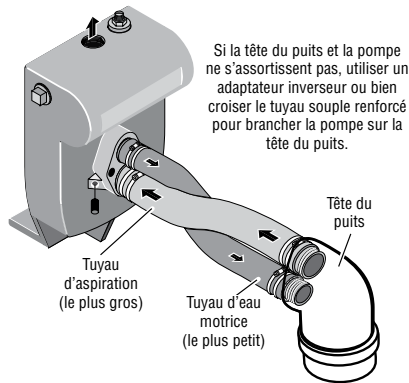
**Tél. : | 888-782-7483 • Télécopieur : | 800 426-9446 • Site Web : Sta-Rite.com**



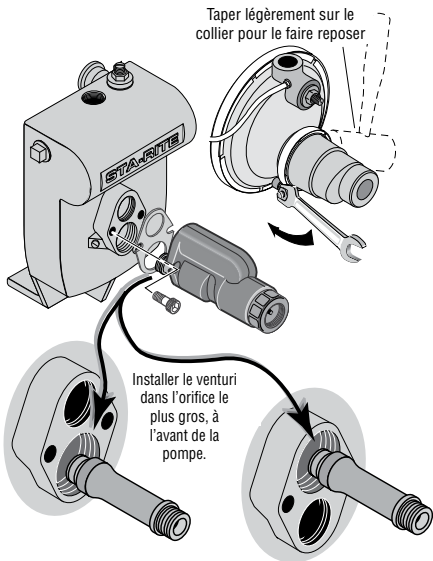


819 0495

**Figure 1 : Fonctions eau motrice et aspiration**

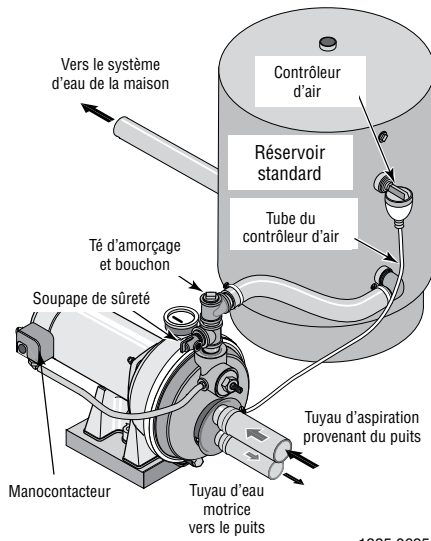


**Figure 2 : Branchement inversé dans le puits**



820 0495

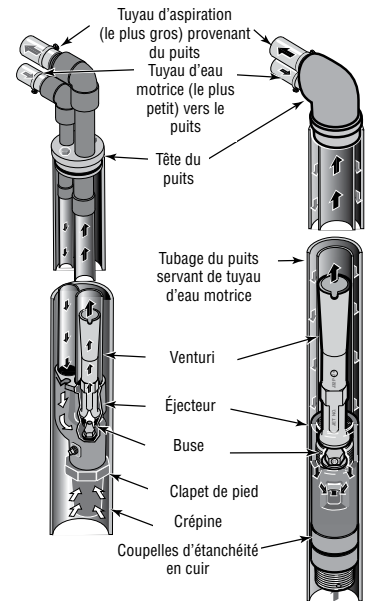
**Figure 3 : Montage de l'éjecteur - puits peu profonds**



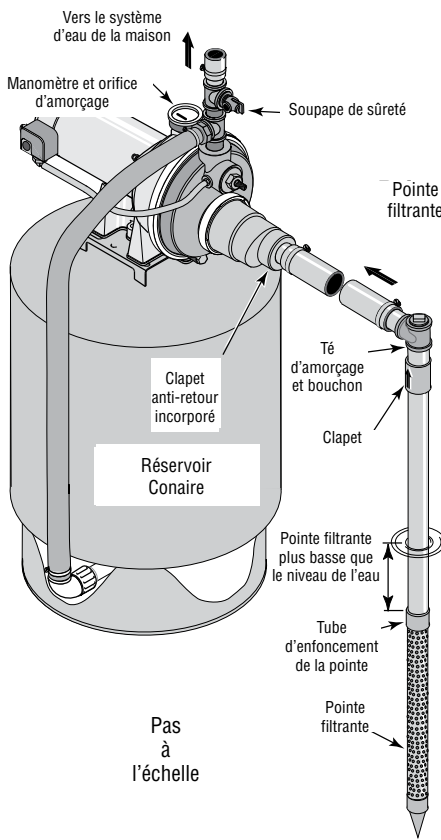
1835 0695

«Deux tuyaux»  
(puits de 4 po de dia. et plus grand)

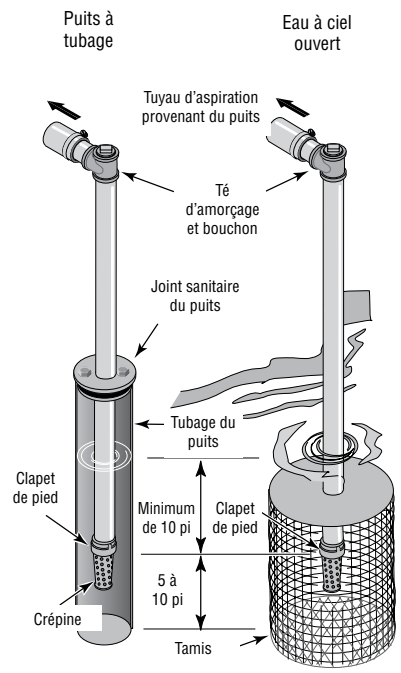
«Un seul tuyau»  
(puits de 2 et 3 po)



1834 0695

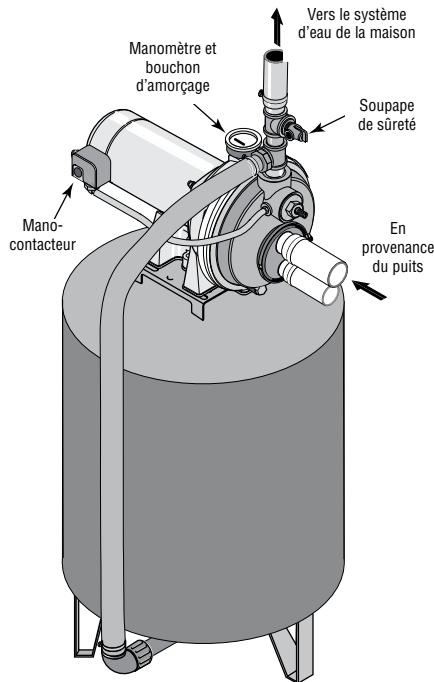


1837 0695



1836 0695

**Figure 5 : Installations typiques dans un puits peu profond**



268 0395

**Figure 6 : Branchements sur un réservoir préchargé**

## Branchement sur un réservoir préchargé (Figure 6)

Si le système est branché sur un réservoir préchargé, il devra être branché sur la pompe, comme il est illustré à la Figure 6. La soupape de sûreté doit pouvoir laisser passer tout le débit de la pompe à une pression de 100 lb/po<sup>2</sup>.

Vérifier la précharge d'air dans le réservoir avec un manomètre pour pneu. La précharge se mesure lorsque le réservoir n'est pas sous pression d'eau. Couper le courant électrique parvenant à la pompe et vider le réservoir avant de vérifier la précharge.

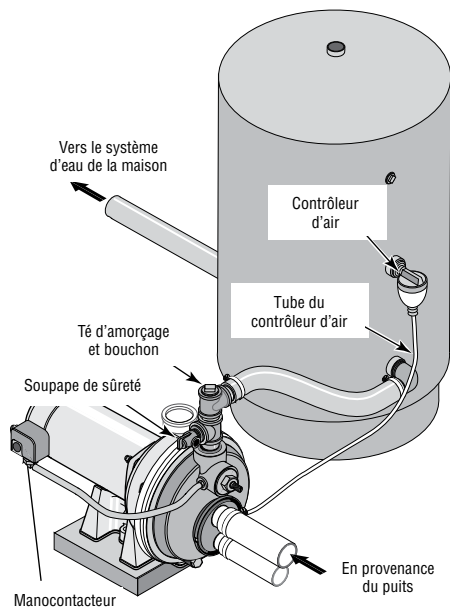
Cette pompe neuve est équipée d'un manocontacteur de 30-50 lb/po<sup>2</sup>; la pression de précharge du réservoir devra donc être réglée à 28 lb/po<sup>2</sup>, ce qui représente 2 lb/po<sup>2</sup> de moins que le réglage de la pression d'enclenchement du manocontacteur de la pompe.

Aucun contrôleur d'air n'est requis dans le cas d'un réservoir préchargé; l'orifice de 1/8 de pouce NPT prévu pour le contrôleur d'air et pratiqué dans le corps de la pompe devra être bouché.

## Branchement sur un réservoir standard (Figure 7)

Si le système est branché sur un réservoir standard, le brancher sur la pompe comme il est illustré à la Figure 7. La soupape de sûreté utilisée avec un réservoir standard doit pouvoir laisser passer tout le débit de la pompe à une pression de 75 lb/po<sup>2</sup>.

Brancher le tube du contrôleur d'air sur l'orifice de 1/8 de pouce NPT pratiqué dans le corps de la pompe. Amener le tube de l'orifice du contrôleur d'air de la pompe jusqu'au contrôleur d'air monté sur le réservoir. Pour plus de détails, se reporter aux instructions fournies avec le réservoir et le contrôleur d'air.



276 0395

**Figure 7 : Branchements sur un réservoir standard**

### Étanchéité des raccords des tuyaux

N'utiliser que du ruban d'étanchéité en PTFE pour filetage à base de PTFE pour procéder à tous les raccords filetés sur la pompe. **Ne pas utiliser de pâte pour raccords filetés sur les pompes en plastique** : cette pâte peut réagir avec les éléments en plastiques de la pompe. S'assurer que tous les raccords du tuyau d'aspiration sont bien étanches, aussi bien à l'air qu'à l'eau. *Si le tuyau d'aspiration aspire de l'air, la pompe ne pompera pas l'eau du puits.*

**⚠** Débrancher le courant électrique avant d'intervenir sur la pompe, le moteur, le manostat ou le câblage.

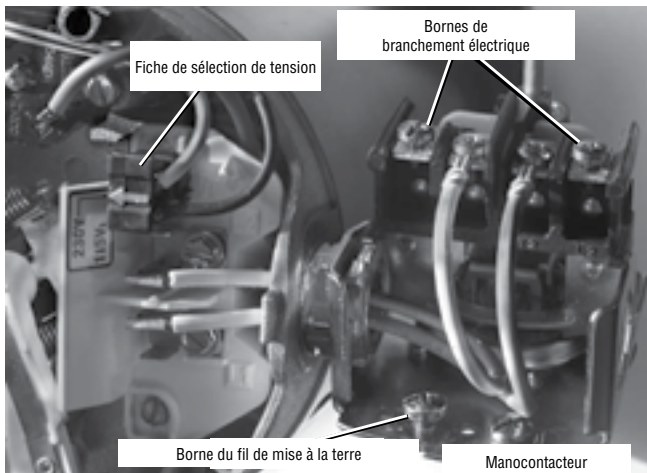
## Réglages de l'interrupteur du moteur

**AVIS :** Les moteurs de 1/3 cheval et 1/2 cheval sont des moteurs bitension. Ils ont été réglés en usine pour fonctionner sur le courant de 115 V. Les moteurs de 3/4 et de 1 cheval sont des moteurs bitension. Ils ont été réglés en usine pour fonctionner sur le courant de 230 V. La plaquette de connexions des moteurs (logée sous le couvercle arrière du moteur) ressemble à une de celles illustrées ci-dessous. Se reporter aux instructions pour régler le moteur conformément à la source d'énergie.

**⚠ AVERTISSEMENT** Ne jamais brancher un moteur réglé à 115 V à une source d'alimentation de 230 V.

### Sélecteur de tension à fiche

La tension est réglée en usine à 230 V. Pour passer au courant de 115 V :



**Figure 8 : Tension réglée à 230 V sur sélecteur à fiche**

1. S'assurer que le courant est coupé.
2. Décrocher la fiche de sélection de tension de ses pattes.
3. Déplacer la fiche sur le courant de 115 V. Sur cette position, la fiche couvre 2 pattes métalliques et la flèche sur la prise est alignée sur la flèche 115V de l'étiquette (figure 9).

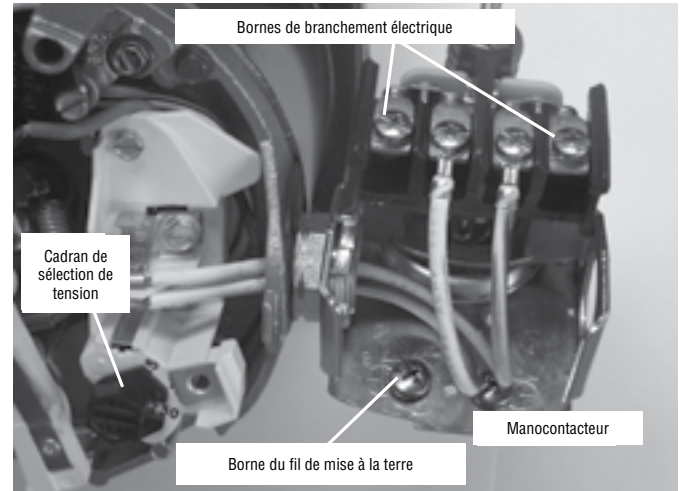


**Figure 9 : Tension réglée à 115 V sur sélecteur à fiche**

4. Fixer les fils d'arrivée de courant aux deux vis extérieures du manostat (figure 8).
5. Relier le fil de terre à l'une des bornes de mise à la terre (figure 8).
6. S'il y a d'autres fils, leurs bouts doivent être isolés.
7. Reposer les couvercles d'extrémité du moteur et du manostat.

### Sélecteur de tension à cadran

La tension est réglée à 230 V. Pour passer au courant de 115 V :



**Figure 10 : Tension réglée à 230 V sur sélecteur à cadran**

1. S'assurer que le courant est coupé.
2. Tourner le cadran dans le sens des aiguilles d'une montre jusqu'à ce que le nombre 115 soit visible dans la fente du cadran (figure 11).



**Figure 11 : Tension réglée à 115 V sur sélecteur à cadran**

3. Fixer les fils d'arrivée de courant aux deux vis extérieures du manostat (figure 10).
4. Relier le fil de terre aux bornes de raccord de mise à la terre (figure 10).
5. S'il y a d'autres fils, leurs bouts doivent être isolés.
6. Vuelva a instalar las cubiertas del extremo del motor y del manóstato.

**⚠️ AVERTISSEMENT Tension dangereuse.** Risque de secousses électriques, de brûlures, voire la mort. Brancher le fil de terre avant de brancher les fils de tension. Utiliser des fils de calibre spécifié (y compris le fil de terre) dans le tableau de câblage. Dans la mesure du possible, brancher la pompe sur un circuit séparé, sur lequel aucun autre appareil ne sera branché.

**⚠️ AVERTISSEMENT Risque d'explosion.** Ne pas mettre à la terre sur une conduite de gaz.

## Connexions des fils

**⚠️ AVERTISSEMENT Risque d'incendie.** L'utilisation d'une mauvaise tension risque de causer un incendie ou d'endommager gravement le moteur et d'annuler la garantie. La tension d'alimentation doit correspondre à ± 10 % de la tension figurant sur la plaque signalétique du moteur.

**AVIS :** Les moteurs bi-tension peuvent fonctionner sur le courant de 115 ou de 230 V. Au besoin, régler le moteur sur la tension désirée, comme il est indiqué. Ne pas modifier le câblage des moteurs fonctionnant sur une tension.

Installer la pompe, la mettre à la terre, la câbler et l'entretenir conformément au National Electrical Code (NEC) ou au Code canadien de l'électricité, selon le cas, et conformément à tous les codes et décrets en vigueur de la municipalité.

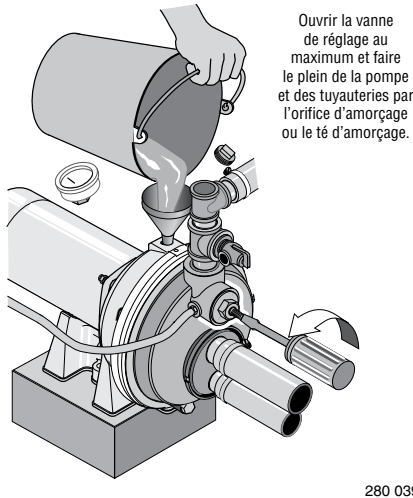
Consulter l'inspecteur des bâtiments de la localité pour plus de renseignements sur les codes.

## Méthodes de connexion :

- 1 ° Brancher tout d'abord le fil de mise à la terre, comme il est illustré à la Figure 8. Le fil de mise à la terre doit être un fil de cuivre massif d'un diamètre au moins aussi gros que le diamètre des fils de tension.
- 2 ° Il doit y avoir un raccordement en métal solide entre le manostat et le moteur pour une protection à la terre du moteur. Si le manostat n'est pas branché sur le moteur, brancher la vis verte de mise à la terre du manostat sur la vis verte de mise à la terre qui se trouve sous le couvercle du moteur. Utiliser un fil de cuivre massif ayant un diamètre au moins aussi gros que celui des fils de tension.
- 3 ° Brancher le fil de mise à la terre sur le fil de mise à la terre du tableau de distribution, sur un tuyau métallique d'eau enterré, sur le tubage d'un puits en métal ayant au moins 10 pieds (3 mètres) de long, ou sur une électrode de mise à la terre que fournira la compagnie d'électricité.
- 4 ° Brancher les fils de tension sur le manostat, comme il est illustré à la Figure 8.

## Tableau de câblage - Câbles et diamètres des fusibles recommandés

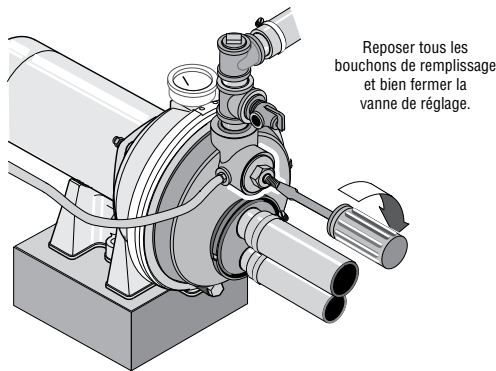
Modèle	ch	Charge max. en ampères	Fusible Intensité en ampères	Distance en pieds (mètres); Diamètre des fils - calibre AWG (mm²)				
				0-100 (0-30)	101-200 (31-61)	201-300 (62-91)	301-400 (92-122)	401-500 (123-152)
<b>115 Volts:</b>								
PLB	1/3	9.4	15	14 (2)	10 (5.5)	10 (5.5)	6 (14)	6 (14)
PLC	1/2					12.2		
FLC, FSLCH		3/4	14.8	12 (3)			8 (8.4)	
PLD	1				19.2	25		10 (5.5)
FLD, FSLDH		1	19.2	25			10 (5.5)	
PLE	1-1/2				19.2	25		10 (5.5)
PLF		1-1/2	19.2	25			10 (5.5)	
<b>230 Volts:</b>								
PLB	1/3	4.7	15	14 (2)	14 (2)	14 (2)	14 (2)	12(3)
PLC	1/2						6.1	
FLC, FSLCH		3/4	7.4	14 (2)	14 (2)	12 (3)		10 (5.5)
PLD	1						9.6	
FLD, FSLDH		1	9.6	15	14 (2)	14 (2)		12 (3)
PLE	1-1/2						9.6	
PLF		1-1/2	9.6	15	14 (2)	14 (2)		12 (3)



Ouvrir la vanne de réglage au maximum et faire le plein de la pompe et des tuyauteries par l'orifice d'amorçage ou le té d'amorçage.

280 0395

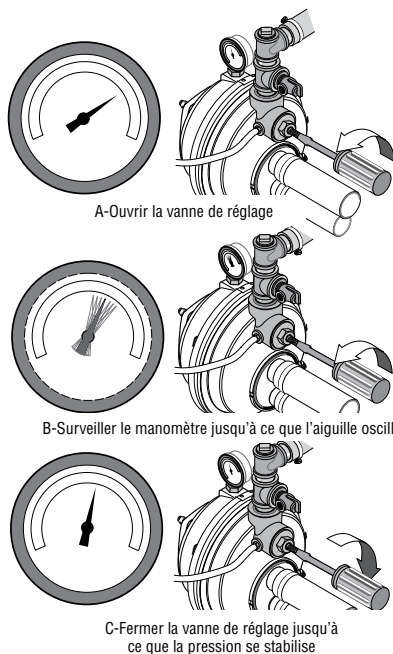
Figure 12 : Remplissage de la pompe



Reposer tous les bouchons de remplissage et bien fermer la vanne de réglage.

556 0395

Figure 13 : Amorçage de la pompe



A-Ouvrir la vanne de réglage

B-Surveiller le manomètre jusqu'à ce que l'aiguille oscille

C-Fermer la vanne de réglage jusqu'à ce que la pression se stabilise

Figure 14 : Régler la vanne de réglage

## Amorçage

**⚠ AVERTISSEMENT** **Risque d'explosion.** Ne jamais faire fonctionner la pompe contre un refoulement fermé, sinon l'eau risque de bouillir à l'intérieur de la pompe, une accumulation dangereuse de pression risque de se produire, un danger d'explosion risque de s'ensuivre et les personnes qui manipuleront la pompe pourront peut-être être ébouillantées.

**⚠ ATTENTION** **Risque de brûlures.** Ne jamais faire fonctionner la pompe à sec. Faire fonctionner la pompe sans eau risque de causer une surchauffe de la pompe, d'endommager les joints et, possiblement, causer des brûlures aux personnes qui manipuleront la pompe. Faire le plein d'eau de la pompe avant de la démarrer.

- 1 ° Ouvrir au maximum la vanne de réglage (voir la Figure 12), déposer le bouchon d'amorçage de la pompe, puis faire le plein de la pompe, de toutes les tuyauteries entre la pompe et le puits et s'assurer que toutes les tuyauteries du puits sont pleines d'eau. Si un té d'amorçage a été posé sur le tuyau d'aspiration, déposer le bouchon du té et faire le plein de la tuyauterie d'aspiration.
- 2 ° Reposer tous les bouchons de remplissage et fermer complètement la vanne de réglage (voir la Figure 13).
- 3 ° Établir le courant! Démarrer la pompe et surveiller le manomètre. Au fur et à mesure que la pompe s'amorce, la pression doit rapidement monter jusqu'à 50 lb/po<sup>2</sup>.
  - ° Après 2 ou 3 minutes, le manomètre doit indiquer la pression. Sinon, arrêter la pompe, déposer les bouchons de remplissage, rouvrir la vanne de réglage et refaire le plein de la pompe et des tuyauteries. Il sera peut-être nécessaire de répéter cette opération deux ou trois fois de façon à chasser tout l'air pouvant être emprisonné dans les tuyauteries. Ne pas oublier de refermer la vanne de réglage avant de redémarrer la pompe.
- 5 ° Lorsque la pression s'est accumulée et stabilisée à environ 50 lb/po<sup>2</sup>, ouvrir lentement la vanne de réglage (voir la Figure 14) et laisser chuter la pression jusqu'à ce que l'aiguille du manomètre commence à osciller. Pendant que l'aiguille oscille, fermer suffisamment la vanne de réglage pour arrêter l'aiguille d'osciller (voir la Figure 14). La pompe fonctionne maintenant à son point le plus efficace.
- 6 ° Après que la pression se sera accumulée dans le système et que la pompe se sera arrêtée, vérifier le fonctionnement du manocontacteur en ouvrant un ou deux robinets du système; laisser couler suffisamment d'eau pour dissiper la pression jusqu'à ce que la pompe redémarre. La pompe doit redémarrer lorsque la pression chute à 30 lb/po<sup>2</sup> et s'arrêter lorsque la pression atteint 50 lb/po<sup>2</sup>. Faire fonctionner la pompe pendant un ou deux cycles complets pour confirmer son bon fonctionnement. Ceci permettra également de nettoyer le système de toute la saleté et de tout le tartre qui se seront détachés pendant l'installation.
- 7 ° (Pompes de la série PL seulement). S'assurer qu'il n'y a pas de fuite autour du collier de serrage. Si la pompe fuit, resserrer l'écrou de 1 ou 2 tours. Ne pas trop serrer.

**AVIS :** À cause des irrégularités normales du cuir du joint de la coupelle et des parois intérieures du carter, les éjecteurs ne forment pas un joint parfait. Dans le cas d'un système qui ne fonctionne pas souvent, la pression fuira avec le temps, et la pompe cyclera périodiquement pour maintenir la bonne pression dans le système.



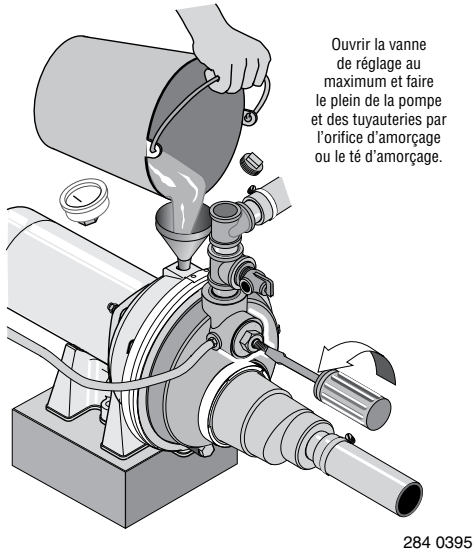


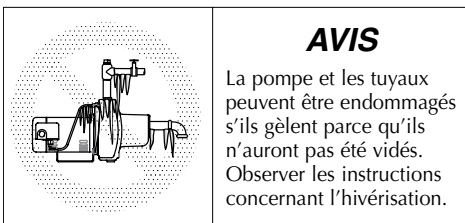
Figure 15 : Ouvrir la vanne de réglage

## Amorçage

**⚠ AVERTISSEMENT** **Risque d'explosion.** Ne jamais faire fonctionner la pompe contre un refoulement fermé, sinon l'eau risque de bouillir à l'intérieur de la pompe, une accumulation dangereuse de pression risque de se produire, un danger d'explosion risque de s'ensuivre et les personnes qui manipuleront la pompe pourront peut-être être ébouillantées.

**⚠ ATTENTION** **Risque de brûlures.** Ne jamais faire fonctionner la pompe à sec. Faire fonctionner la pompe sans eau risque de causer une surchauffe de la pompe, d'endommager les joints et, possiblement, causer des brûlures aux personnes qui manipuleront la pompe. Faire le plein d'eau de la pompe avant de la démarrer.

- 1 ° Ouvrir au maximum la vanne de réglage (voir la Figure 15), déposer le bouchon d'amorçage de la pompe, puis faire le plein de la pompe, de toutes les tuyauteries entre la pompe et le puits et s'assurer que toutes les tuyauteries du puits sont pleines d'eau. Si un té d'amorçage a été posé sur le tuyau d'aspiration, déposer le bouchon du té et faire le plein de la tuyauterie d'aspiration.
- 2 ° Reposer tous les bouchons filetés. Laisser la vanne de réglage ouverte (dans les puits peu profonds, la vanne de réglage reste toujours ouverte).
- 3 ° Établir le contact! Démarrer la pompe. La pompe doit pomper l'eau dans les deux ou trois minutes qui suivent.
- 4 ° Si la pompe ne pompe pas d'eau dans les 2 ou 3 minutes qui suivent, l'arrêter et déposer les bouchons de remplissage. Faire le plein de la pompe et des tuyauteries. Il faudra peut-être répéter cette opération deux ou trois fois de façon à chasser tout l'air pouvant être emprisonné dans la tuyauterie. La vanne de réglage reste ouverte pendant cette opération.
- 5 ° Après que la pression se sera accumulée dans le système et que la pompe se sera arrêtée, vérifier le fonctionnement du manocontacteur en ouvrant un ou deux robinets du système; laisser couler suffisamment d'eau pour dissiper la pression jusqu'à ce que la pompe redémarre. La pompe doit redémarrer lorsque la pression chute à 30 lb/po<sup>2</sup> et s'arrêter lorsque la pression atteint 50 lb/po<sup>2</sup>. Faire fonctionner la pompe pendant un ou deux cycles complets pour confirmer son bon fonctionnement. Ceci permettra également de nettoyer le système de toute la saleté et de tout le tartre qui se seront détachés pendant l'installation.
- 6 ° (Pompes de la série PL seulement). S'assurer qu'il n'y a pas de fuite autour du collier de serrage. Si la pompe fuit, resserrer l'écrou de 1 ou 2 tours. Ne pas trop serrer.



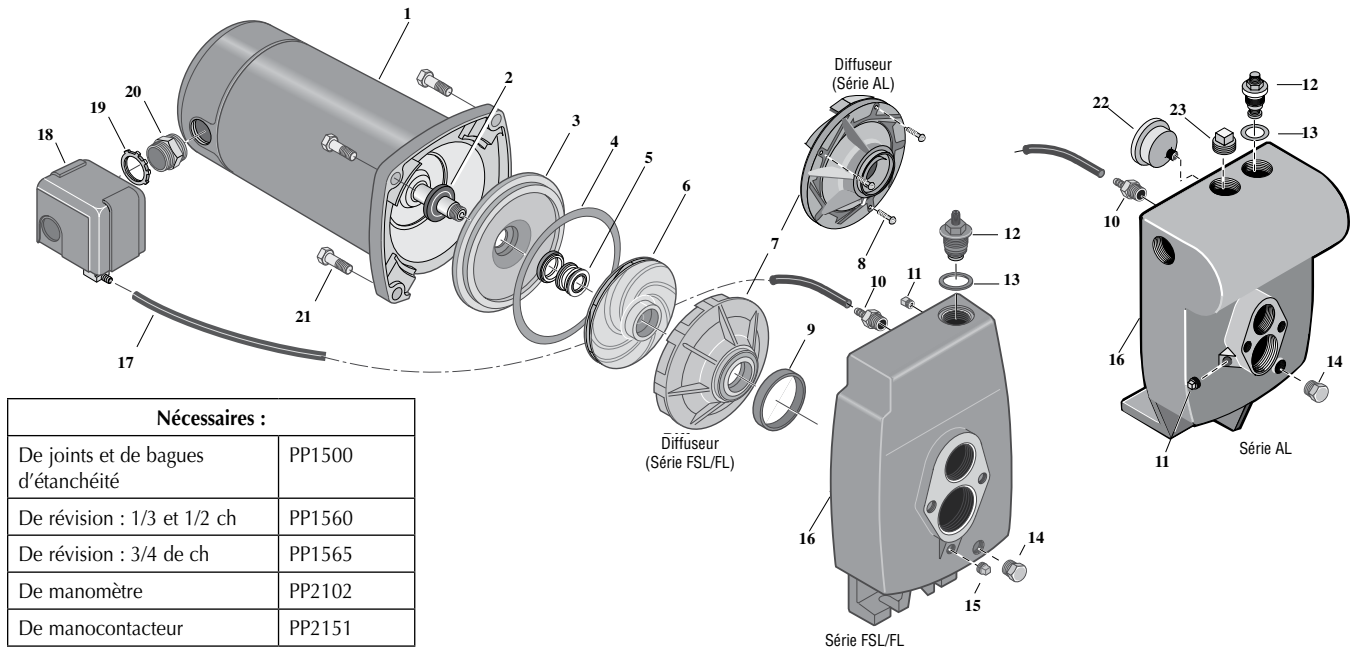
## Hivérization de la pompe

Pour préparer la pompe pour l'hiver :

- 1 ° Couper le courant qui l'alimente.
- 2 ° Dissiper la pression du système. Ouvrir un robinet et attendre que l'eau cesse de couler.
- 3 ° Vider la pompe en déposant son bouchon de vidange. Laisser toute l'eau se vider. La pompe peut être munie d'un bouchon ou d'un branchement sur son côté. Déposer l'un ou l'autre pour vider la pompe. Un peu d'eau peut rester dans la pompe. Cela ne l'endommagera pas si elle vient à geler.



Symptômes	Causes probables	Remèdes
Le moteur ne tourne pas	Le sectionneur est ouvert	S'assurer que le sectionneur est enclenché.
	Le fusible est sauté ou le disjoncteur est déclenché	Remplacer le fusible ou réenclencher le disjoncteur.
	L'interrupteur de démarrage est défectueux	COUPER L'ARRIVÉE DE COURANT; remplacer l'interrupteur de démarrage.
	Les fils côté moteur sont desserrés, débranchés ou mal branchés	Se reporter aux instructions sur le câblage (page 24). COUPER L'ARRIVÉE DE COURANT; vérifier tout le câblage et le resserrer. <b>▲ AVERTISSEMENT Tension dangereuse.</b> La tension du condensateur peut être dangereuse. Pour décharger le condensateur du moteur, tenir un tournevis à manche isolé PAR LE MANCHE et mettre en court-circuit les bornes du condensateur. Ne pas toucher la lame métallique du tournevis ni les bornes du condensateur. En cas de doute, consulter un électricien qualifié.
Le moteur chauffe et le dispositif de protection contre les surcharges se déclenche	Les contacts du pressostat sont sales	COUPER L'ARRIVÉE DE COURANT, puis nettoyer les contacts avec un morceau de toile émeri ou une lame à ongles.
	Le moteur est mal câblé	Se reporter aux instructions concernant le câblage.
	La tension est trop faible	S'adresser à la compagnie d'électricité. Poser des câbles plus gros si le diamètre des fils est trop petit (voir Électricité/Tableau de câblage).
Le moteur fonctionne mais la pompe ne débitepas d'eau *	La pompe fonctionne trop fréquemment.	Se reporter ci-dessous si la pompe démarre trop fréquemment.
	Dans une installation nouvelle, la pompe ne s'est pas amorcée à cause : 1. D'un mauvais amorçage 2. De prises d'air 3. De fuites du clapet de non retour ou du clapet de pied.	Dans le cas d'une installation neuve : 1. Réamorcer la pompe conformément aux instructions. 2. Vérifier tous les raccords de la conduite d'aspiration, du régulateur de volume d'air et de l'éjecteur. 3. Remplacer le clapet de pied ou le clapet de non retour.
	La pompe s'est désamorcée : 1. À cause de prises d'air 2. Parce que le niveau d'eau est plus bas que la prise d'eau du tuyau d'aspiration.	Dans le cas d'une installation déjà en utilisation : 1. Vérifier tous les raccords de la conduite d'aspiration et le joint de l'arbre. 2. Abaisser la conduite d'aspiration dans l'eau et réamorcer la pompe. Si, dans le puits, la surface libre jusqu'à l'eau dépasse 7,60 mètres (25 pieds), utiliser une pompe pour puits profond.
	Le clapet de pied ou la crépine sont bouchés	Nettoyer le clapet de pied ou la crépine.
	L'éjecteur ou l'impulseur sont bouchés	Nettoyer l'éjecteur ou l'impulseur.
	Le clapet de non retour ou le clapet de pied sont grippés en position fermée	Remplacer le clapet de non retour ou le clapet de pied.
	Les tuyauteries sont gelées.	Dégeler les tuyauteries. Enterrer les tuyauteries sous le point de gélivation. Chauffer la fosse ou le bâtiment où se trouve la pompe.
	Le clapet de pied et/ou la trémie sont enfouis dans le sable ou la boue	Relever le clapet de pied et/ou la crépine plus haut que le fond de la source d'eau. Nettoyer le clapet de pied et la crépine.
* Arrêter la pompe, puis vérifier l'amorçage avant de rechercher toute autre cause. Dévisser le bouchon d'amorçage et voir si le trou d'amorçage contient de l'eau.	Dans le cas d'un puits peu profond, le niveau de l'eau est trop bas pour que la pompe débite	Utiliser un éjecteur pour puits profonds si la surface libre jusqu'à l'eau dans ce puits est supérieure à 7,60 mètres (25 pieds).
La pompe ne débite pas à pleine capacité. (Vérifier aussi les 3 points immédiatement précités)	Le niveau de l'eau du puits est plus bas que celui estimé	Une nouvelle combinaison buse et venturi est peut-être requise.
	La tuyauterie en acier (le cas échéant) est corrodée ou bouchée par la chaux, ce qui cause un frottement excessif	Dans la mesure du possible, remplacer par des tuyaux en plastique, sinon poser des tuyaux en acier neufs.
	Le diamètre des tuyaux est trop petit	Utiliser des tuyaux de plus grand diamètre.
La pompe débite mais ne s'arrête pas ou bien elle fonctionne trop fréquemment	Le pressostat est déréglé ou bien ses contacts sont soudés ensemble	COUPER L'ARRIVÉE DE COURANT; régler le pressostat ou le remplacer.
	Les robinets du système sont restés ouverts	Les fermer.
	Le venturi, la buse ou l'impulseur sont bouchés	Nettoyer le venturi, la buse ou l'impulseur.
	Le réservoir sous pression standard est saturé d'eau et n'a plus de coussin d'air	Penser à l'idée d'utiliser une pompe à éjecteur pour puits profonds. Vider le réservoir jusqu'à l'orifice du régulateur de volume d'air. Vérifier le régulateur de volume d'air à la recherche de défauts. S'assurer que les raccords n'aspirent pas d'air.
	Les tuyaux fuient	Vérifier les raccords.
	Le clapet de pied fuit	Remplacer le clapet de pied.
	Le pressostat est déréglé	Régler ou remplacer le pressostat.
L'air jaillit des robinets du système	La charge d'air dans le réservoir préchargé est trop basse	COUPER L'ARRIVÉE DE COURANT et ouvrir les robinets du système jusqu'à ce que toute la pression soit dissipée. À l'aide d'un manomètre pour pneus, vérifier la pression d'air dans le réservoir par la tige de la valve qui se trouve sur le réservoir. Si la pression est inférieure au réglage de fonctionnement du pressostat entre (206 et 344,7 kPa [30 et 50 lb/po <sup>2</sup> ]), pomper de l'air dans le réservoir à partir d'une source extérieure jusqu'à ce que la pression d'air soit de 2 lb/po <sup>2</sup> inférieure au réglage de déclenchement du pressostat. S'assurer que la valve ne fuit pas (l'enduire d'une solution savonneuse); remplacer l'obus de la valve au besoin.
	La pompe s'amorce	Lorsque la pompe sera amorcée, tout l'air sera chassé.
	Prise d'air côté aspiration de la pompe	Le tuyau d'aspiration aspire de l'air. Vérifier tous les raccords. S'assurer qu'ils sont bien serrés.
	Le puits est gazeux	S'adresser à l'usine pour la possibilité d'installer un manchon dans le puits.
	Surpompage intermittent du puits. (L'eau est pompée plus bas que le clapet de pied.)	Dans la mesure du possible, abaisser le clapet de pied. Sinon, limiter le refoulement de la pompe.

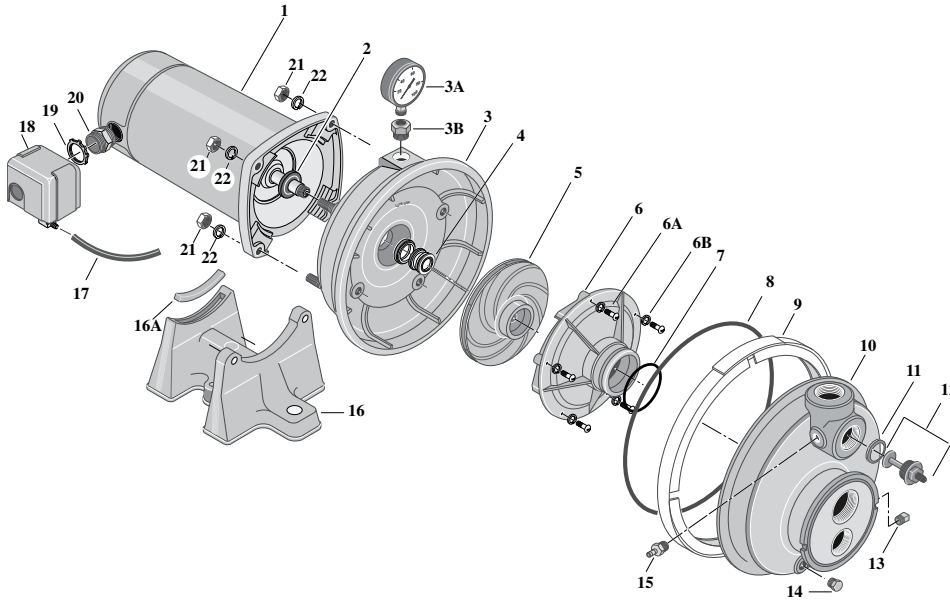


Nécessaires :	
De joints et de bagues d'étanchéité	PP1500
De révision : 1/3 et 1/2 ch	PP1560
De révision : 3/4 de ch	PP1565
De manomètre	PP2102
De manocontacteur	PP2151

## Liste des pièces de rechange – pompes en fonte à éjecteur

Réf.	Designation	Qté	FSLCH-L, FLC-L 1/2 ch	FSLDH-L, FLD-L 3/4 ch
1	Moteur	1	J218-582A-115-PKG	A100DLL
2	Défecteur d'eau	1	17351-0009	17351-0009
3	Plaque d'étanchéité	1	N3-1043P	N3-1043P
4	Joint de plaque d'étanchéité	1	N20-35	N20-35
5	Joint de l'arbre	1	U109-6A	U109-6A
6	Impulseur	1	J105-40P	J105-86P
7	Diffuseur	1	L1-25P	L1-48P
8	Vis diffuseur	3	-	-
9	Joint torique du diffuseur	1	L21-1	L21-1
10	Raccord cannelé droit	1	U111-211T	U111-211T
11	Bouchon de fileté de 1/8 po	1	U78-56ZPS	U78-56ZPS
12	Vanne de régulation	1	01322	01322
13	Joint du vanne de régulation	1	L20-39	L20-39
14	Bouchon de vidange		U78-941ZPV	U78-941ZPV
15	Bouchon d'amorçage fileté	1	U78-959T	U78-959T
16	Corps de la pompe	1	L76-44	L76-44
17	Tube du manostat	1	U37-672P	U37-672P
•	Raccord cannelé coudé	1	-	-
18	Manostat	1	U217-1202	U217-1202
19	Écrou	1	U36-112ZP	U36-112ZP
20	Raccord	1	L43-5C	L43-5C
21	Vis à chapeau de 3/8-16 x 1-1/2 po de long	4	U30-75ZP	U30-75ZP
22	Manomètre		-	-
23	Bouchon de fileté de 1/2 po	1	-	-

• Pièces non illustrées.



Nécessaires :	
De joints et de bagues d'étanchéité	PP1500
De révision : 1/3 et 1/2 ch	PP1511
De révision : 3/4 de ch	PP1512
De révision : 1 ch	PP1513
De révision : 1-1/2 ch	PP1514
De manomètre	PP2102
De manocontacteur	PP2151

### Liste des pièces de rechange – Modèles résistant à la corrosion

Réf.	Designation	Qté.	PLB-2L 1/3 ch	PLC-2L 1/2 ch	PLD-2L 3/4 ch	PLE-2L 1 ch	PLF-2L 1-1/2 ch
1	Moteur	1	J218-582A-115-PKG	J218-582A-115-PKG	A100DLL	A100ELL	A100FLL
2	Défecteur d'eau	1	17351-0009	17351-0009	17351-0009	17351-0009	17351-0009
3	Plaque d'étanchéité	1	L176-47P	L176-47P	L176-47P	L176-47P	L176-47P
3A	Manomètre	1	U239-3	U239-3	U239-3	U239-3	U239-3
3B	Réducteur, 1/2x1/8 NPT	1	U78-107PT	U78-107PT	U78-107PT	U78-107PT	U78-107PT
4	Joint de l'arbre	1	U109-6A	U109-6A	U109-6A	U109-6A	U109-6A
5	Impulseur	1	J105-40PE	J105-40PE	J105-42PT	J105-8PAN	J105-22PA
6	Diffuseur	1	J1-39P	J1-39P	J1-39P	J1-40P	J1-40PA
6A	Vis diffuseur	5	U30-542SS	U30-542SS	U30-542SS	U30-542SS	U30-542SS
6B	Rondelle, N° 8	5	U43-21SS	U43-21SS	U43-21SS	U43-21SS	U43-21SS
7	Joint torique du diffuseur	1	U9-199	U9-199	U9-199	U9-199	L21-1
8	Joint torique, collier de serrage en V	1	U9-399	U9-399	U9-399	U9-399	U9-399
9	Collier de serrage en V	1	C19-54SS	C19-54SS	C19-54SS	C19-54SS	-
10	Corps de la pompe	1	L76-37P	L76-37P	L76-37P	L76-37P	L76-37P
11	Joint de vanne de régulation	1	L20-40	L20-40	L20-40	L20-40	L20-40
12	Vanne de régulation	1	J198-20	J198-20	J198-20	J198-20	J198-20
13	Bouchon de fileté	1	WC78-41T	WC78-41T	WC78-41T	WC78-41T	WC78-41T
14	Bouchon de vidange	1	U78-941ZPV	U78-941ZPV	U78-941ZPV	U78-941ZPV	U78-941ZPV
15	Raccord cannelé droit	1	U111-211T	U111-211T	U111-211T	U111-211T	U111-211T
16	Socle	1	C4-42P	C4-42P	C4-42P	C4-42P	C4-42P
16A	Support du moteur	1	C35-11	C35-11	C35-11	C35-11	C35-11
17	Tube du manostat	1	U37-671P	U37-671P	U37-671P	U37-671P	U37-677P
•	Raccord cannelé coudé	1	U111-212T	-	-	-	-
18	Manostat	1	U217-1216	U217-1202	U217-1202	U217-1202	U217-1202
19	Écrou	1	U36-112ZP	U36-112ZP	U36-112ZP	U36-112ZP	U36-112ZP
20	Raccord	1	L43-5C	L43-5C	L43-5C	L43-5C	L43-5C
21	Écrou à six pans	4	U36-37ZP	U36-37ZP	U36-37ZP	U36-37ZP	U30-75ZP
22	Rondelle, 5/16	2	U43-61ZP	U43-61ZP	U43-61ZP	U43-61ZP	U43-61ZP

• Pièces non illustrées.

## Instrucciones importantes de seguridad

**Guarde estas instrucciones** - Este manual contiene instrucciones importantes que se deben seguir durante la instalación y el mantenimiento del bombas de sumidero.

**⚠** Este es un símbolo de alerta sobre la seguridad. Cuando vea este símbolo en su bomba o en este manual, busque para ver si hay alguna de las siguientes palabras de señal y esté alerta a la posibilidad de lesiones personales.

**⚠ PELIGRO** indica un riesgo que, de no evitarse, *provocará* la muerte o lesiones de gravedad.

**⚠ ADVERTENCIA** indica un riesgo que, de no evitarse, *podría provocar* la muerte o lesiones de gravedad.

**⚠ PRECAUCIÓN** indica un riesgo que, de no evitarse, *podría provocar* lesiones leves o moderadas.

**AVISO** hace referencia a una práctica no relacionada con una lesión física.

**Lea y siga cuidadosamente todas las instrucciones de seguridad en este manual y en la bomba.**

Mantenga las etiquetas de seguridad en buenas condiciones. Reemplace las etiquetas de seguridad faltantes o dañadas.

### Advertencia de la Proposición 65 de California

**⚠ ADVERTENCIA** Este producto y accesorios relacionados contienen sustancias químicas reconocidas en el Estado de California como causantes de cáncer, malformaciones congénitas y otros daños al sistema reproductivo.

## Seguridad eléctrica

**⚠ ADVERTENCIA Voltaje peligroso.** El voltaje del capacitor puede ser peligroso. Para descargar el capacitor del motor, tome un desatornillador con mango aislado **POR EL MANGO** y ponga en corto las terminales del capacitor. No toque la superficie de metal del desatornillador ni las terminales del capacitor. Si tiene alguna duda, consulte a un electricista calificado.

## Seguridad general

**⚠ PRECAUCIÓN Riesgos de quemaduras.** No toque un motor en operación. Los motores están diseñados para operar a temperaturas altas. Para evitar quemaduras al realizar el servicio a una bomba, déjela enfriar por 20 minutos después de apagarla.

No permita que la bomba o cualquier componente del sistema se congele. Hacerlo invalidará la garantía.

Utilice esta bomba sólo para agua.

Inspeccione la bomba y los componentes del sistema periódicamente.


Utilice gafas de seguridad durante todo el tiempo mientras trabaje en la bomba.

El área de trabajo se debe mantener limpia, ordenada y con iluminación adecuada; guarde las herramientas y el equipo que no utilice en el lugar apropiado.

Mantenga a los visitantes a una distancia segura de las áreas de trabajo.

**⚠ ADVERTENCIA Peligro de explosión.** El cuerpo de la bomba puede explotar si se utiliza como una bomba propulsora a menos que se instale una válvula de alivio que sea capaz de pasar todo el flujo de la bomba a 75 psi.

**⚠ ADVERTENCIA**



**Voltaje peligroso. Puede ocasionar conmoción, quemaduras e incluso la muerte.**

Conecte la bomba a tierra antes de conectarla a la alimentación eléctrica. Desconecte la alimentación de energía antes de trabajar en la bomba, el motor o el tanque.

- ⚠ Conecte el motor al voltaje correcto. Vea la sección "Electricidad" en este manual y la placa del motor.**
- ⚠ Conecte el motor a tierra antes de conectarlo a la alimentación de energía.**
- ⚠ Cumpla con las indicaciones del Código Nacional Eléctrico, el de Canadá y los códigos locales para toda la conexión eléctrica.**
- ⚠ Siga las instrucciones de conexión eléctrica en este manual al conectar el motor a las líneas de energía eléctrica.**



**⚠ ADVERTENCIA**

**Presión peligrosa!**

**Instale una válvula de alivio de presión en la tubería de descarga.**

Libere toda la presión en el sistema antes de trabajar en alguno de los componentes.

**Garantía limitada**

STA-RITE le garantiza al comprador/consumidor original (“Comprador” o “Usted”) de los productos enumerados abajo, que estos estarán libres de defectos en material y mano de obra durante el Período de garantía indicado a continuación.

<b>Producto</b>	<b>Período de garantía</b>
Productos de sistemas de agua — bombas de chorro, pequeñas bombas centrífugas, bombas sumergibles inicial, o y accesorios asociados	<i>lo que ocurra primero:</i> 12 meses desde la fecha de la instalación, o 18 meses desde la fecha de fabricación
Tanques de compuesto Pro-Source™	5 años desde la fecha de la instalación inicial
Tanques a presión de acero Pro-Source™	5 años desde la fecha de la instalación inicial
Tanques con revestimiento epoxídico Pro-Source™	3 años desde la fecha de la instalación inicial
Productos para sumideros/aguas residuales/efluente	12 meses desde la fecha de la instalación inicial, o 18 meses desde la fecha de fabricación

Nuestra garantía no se aplicará a ningún producto que, a nuestro sólo juicio, haya sido sometido a negligencia, mal uso, instalación inadecuada o mal mantenimiento. Sin perjuicio a lo que antecede, la garantía quedará anulada en el caso en que un motor trifásico se haya usado con una fuente de alimentación monofásica, a través de un convertidor de fase. Es importante indicar que los motores trifásicos deben estar protegidos por relés de sobrecarga de disparo extra-rápido, con compensación ambiental de tres etapas, del tamaño recomendado, de lo contrario, la garantía quedará anulada.

Su único recurso, y la única obligación de STA-RITE es que STA-RITE repare o reemplace los productos defectuosos (a juicio de STA-RITE). Usted deberá pagar todos los cargos de mano de obra y de envío asociados con esta garantía y deberá solicitar el servicio bajo garantía a través del concesionario instalador tan pronto como se descubra un problema. No se aceptará ninguna solicitud de servicio bajo garantía que se reciba después del vencimiento del Período de Garantía. Esta garantía no se puede transferir.

STA-RITE NO SE HARÁ RESPONSABLE DE NINGÚN DAÑO CONSECUENTE, INCIDENTAL O CONTINGENTE.

LAS GARANTÍAS LIMITADAS QUE ANTECEDEN SON EXCLUSIVAS Y EN LUGAR DE TODA OTRA GARANTÍA EXPLÍCITA E IMPLÍCITA, INCLUYENDO, PERO SIN LIMITARSE A LAS GARANTÍAS IMPLÍCITAS DE COMERCIALIZACIÓN E IDONEIDAD PARA UN FIN ESPECÍFICO. LAS GARANTÍAS LIMITADAS QUE ANTECEDEN NO SE EXTENDERÁN MÁS ALLÁ DEL PERÍODO DE DURACIÓN INDICADO EN LA PRESENTE.

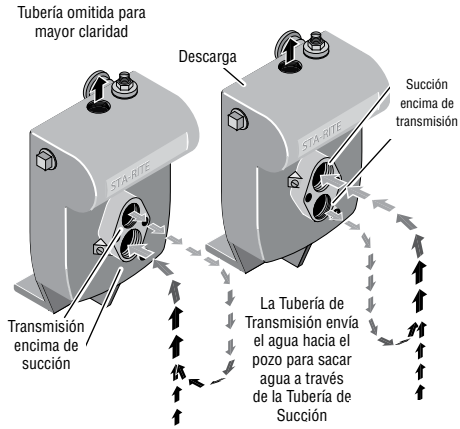
Algunos estados no permiten la exclusión o limitación de daños incidentales o consecuentes o de limitaciones de tiempo sobre garantías implícitas, de modo que es posible que las limitaciones o exclusiones que preceden no correspondan en su caso. Esta garantía le otorga derechos legales específicos y es posible que usted también tenga otros derechos que pueden variar de un estado al otro.

Esta Garantía Limitada entra en vigor el 1 de junio de 2011 y sustituye toda garantía sin fecha o garantía con fecha anterior al 1 de junio de 2011.

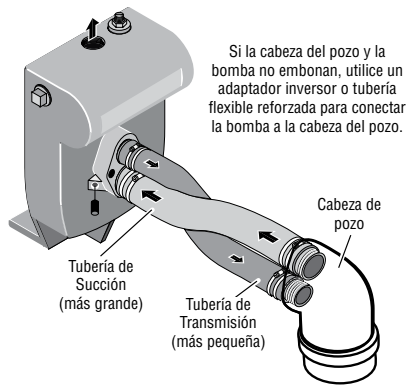
**STA-RITE INDUSTRIES**

**293 Wright Street • Delavan, WI U.S.A. 53115**

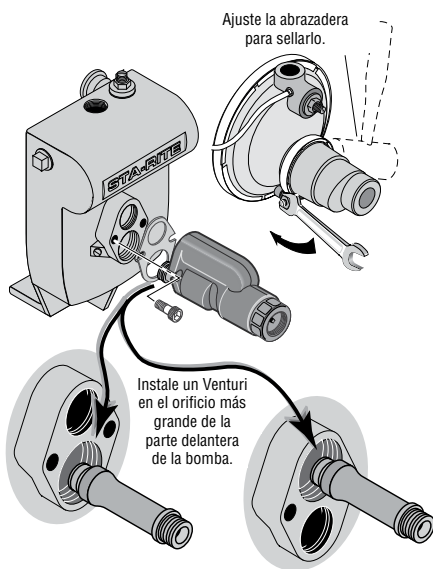
**Teléfono: 1-888-782-7483 • Fax: 1-800-426-9446 • Sitio Web: Sta-Rite.com**



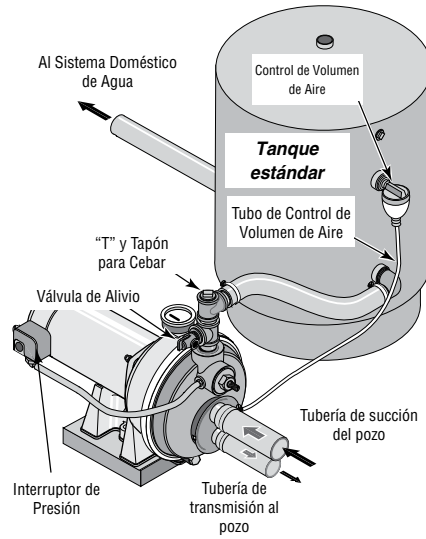
**Figura 1: Funciones de succión y transmisión**



**Figura 2: Conexiones invertidas hacia el pozo**



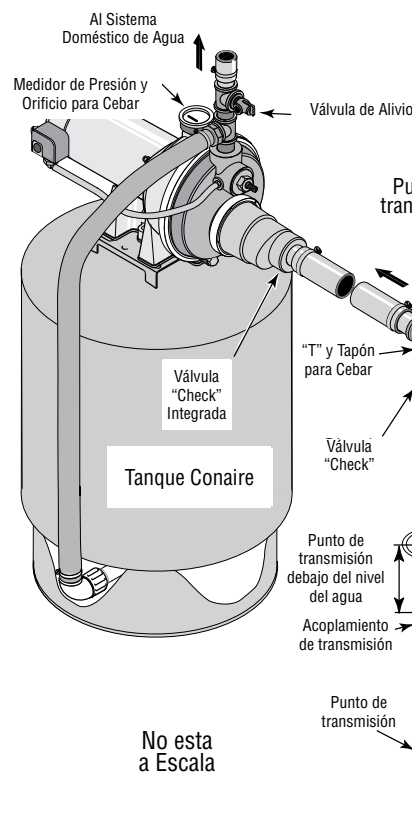
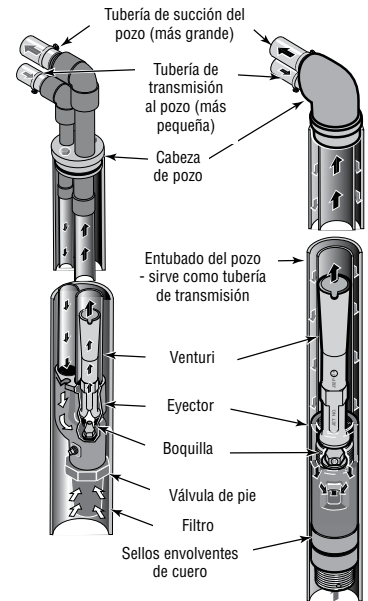
**Figura 3: Monte el eyector - pozo poco profundo**



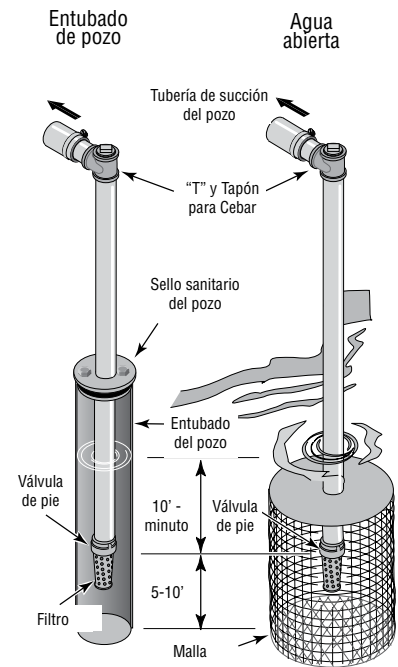
**Figura 4: Instalación típica para pozo profundo**

**“Tubería doble”**  
(diámetro del pozo: 4” mínimo)

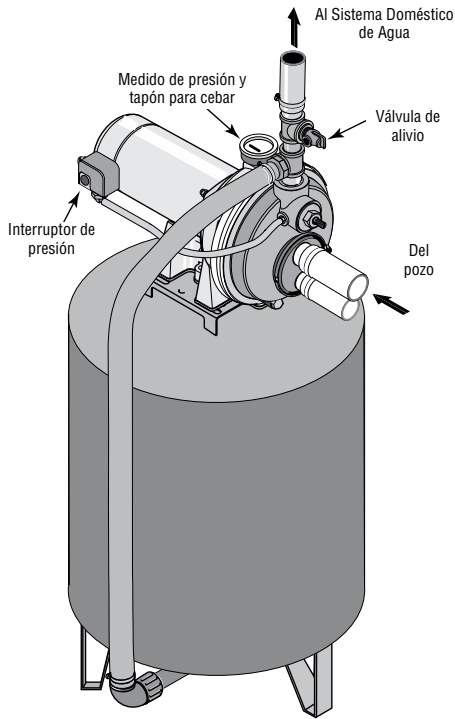
**“Tubería simple”**  
(diámetro del pozo: 2” y 3”)



**Figura 5: Instalación típica para pozo poco profundo**







**Figura 6 : Conexión de tanque de pre-carga**

## Conexión de tanque de pre-cargado (Figura 6)

Si su sistema utiliza un tanque precargado, éste debería conectarse a la bomba siguiendo las indicaciones de la figura 6. La válvula de alivio debe poder hacer pasar toda la capacidad de la bomba a una presión de 100 PSI.

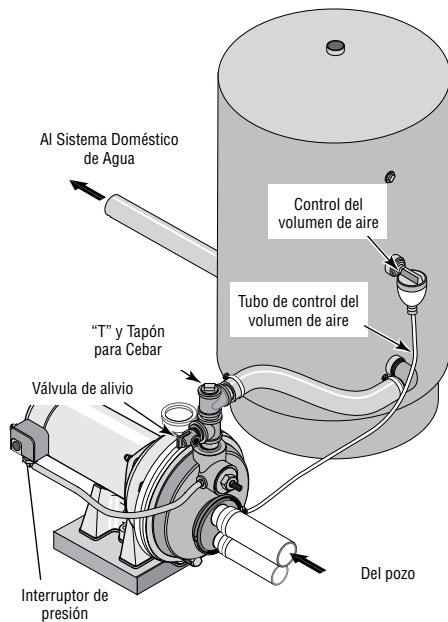
Verifique la pre-carga de aire en el tanque con un medidor de aire para neumáticos; la pre-carga se mide cuando no haya presión de agua en el tanque. Desconecte la bomba de la fuente de alimentación y drene el tanque antes de verificar la pre-carga. Su nueva bomba tiene un interruptor de 30/50 PSI; por lo tanto la presión de pre-carga del tanque debería estar a 28 PSI, es decir a 2 PSI menos que el ajuste de cierre del interruptor de presión de la bomba.

No se requiere control de volumen de aire (CVA) para un tanque de pre-carga; el orificio de CVA de 1/8" NPT, situado en el cuerpo de la bomba, debería taparse.

## Conexión para tanque estándar (Figura 7)

Si su sistema utiliza un tanque estándar, conéctelo a la bomba siguiendo las indicaciones de la Figura 7. La válvula de alivio utilizada con un tanque estándar debe poder hacer pasar toda la capacidad de la bomba a una presión de 75 PSI.

Conecte el tubo de control de volumen de aire (CVA) al orificio de CVA de 1/8" NPT, situado en el cuerpo de la bomba. Extienda la tubería desde ese orificio hasta el control de volumen de aire, montado en el tanque. Para más información, vea las instrucciones suministradas con el tanque y el CVA antedichos.



**Figura 7: Conexión para tanque estándar**

### Sellado de Juntas de Tubería

Utilice solamente sellante de PTFE para roscas de tubería a base de PTFE para todas las conexiones de rosca a la bomba. **No use compuestos de burlete para tuberías en bombas de plástico:** estos pueden reaccionar con los componentes de plástico de la bomba. Asegúrese de que todos los burletes en la tuberías de aspiración sean impermeables y herméticos. *Si la tubería de aspiración aspira aire, la bomba no podrá sacar agua del pozo.*

**⚠** Desconecte la corriente antes de trabajar en la bomba, el motor, el conmutador a presión, o los cables.

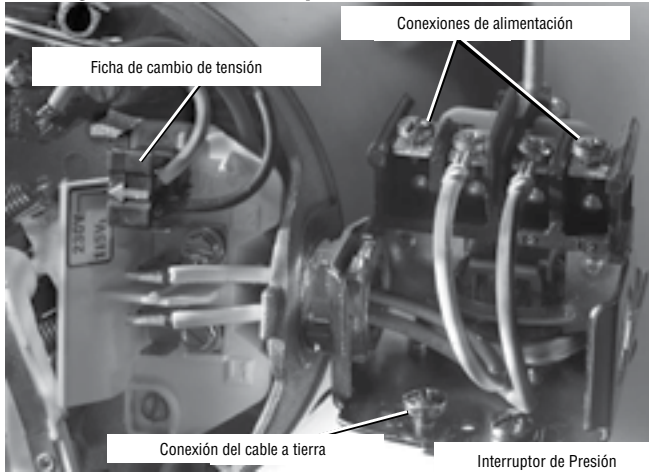
### Configuraciones del interruptor del motor

**AVISO:** Los motores de 1/3 y 1/2 HP son de doble tensión y están configurados de fábrica a 115V. Los motores de 3/4 y 1 HP también son de doble tensión, pero vienen configurados de fábrica a 230 V. Los tableros de bornes del motor (ubicados por debajo de la cubierta del motor) deberán ser similares a los que se ilustran a continuación. Utilice las instrucciones para configurar su motor conforme a su suministro de energía.

**⚠ ADVERTENCIA** Nunca conecte un motor configurado a 115 V a una fuente de energía de 230 V.

#### Selector de tensión de tipo ficha

La configuración de fábrica es para 230 V. Para cambiar a 115 V:



**Figura 8:** Tensión configurada para 230 V, tipo ficha.

1. Verifique que la corriente eléctrica esté desconectada.
2. Jale de la ficha de cambio de tensión y sáquela de las lengüetas.
3. Mueva la ficha de cambio de tensión a la posición de 115 V. Ahora la ficha cubrirá 2 lengüetas metálicas y la flecha en la ficha quedará alineada con la flecha de 115 V en la etiqueta (consulte la Figura 9).

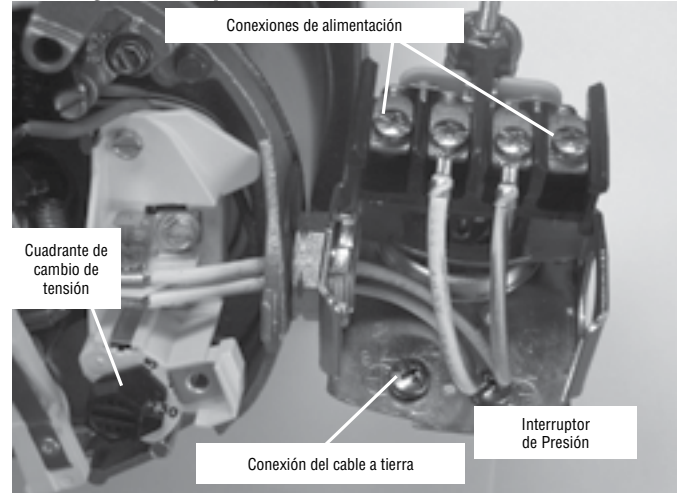


**Figura 9:** Tensión configurada para 115 V, tipo ficha.

4. Conecte los conductores de alimentación a los dos tornillos exteriores en el manóstató según se ilustra en el Figura 8.
5. Conecte el cable a tierra a una de las conexiones a tierra según se ilustra en la Figura 8.
6. Si hay otros cables, tápelos.
7. Vuelva a instalar las cubiertas del extremo del motor y del manóstató.

#### Selector de tensión de tipo cuadrante

La configuración es para 230 V. Para cambiar a 115 V:



**Figura 10:** Tensión configurada para 230 V, tipo cuadrante.

1. Verifique que la corriente eléctrica esté desconectada.
2. Gire el cuadrante hacia la izquierda hasta que aparezca 115 en la ventana del cuadrante según se ilustra en la figura 11.



**Figura 11:** Tensión configurada para 115 V, tipo cuadrante.

3. Conecte los conductores de alimentación a los dos tornillos exteriores en el manóstató según se ilustra en el Figura 10.
4. Conecte el cable a tierra a una de las conexiones a tierra según se ilustra en la Figura 10.
5. Si hay otros cables, tápelos.
6. Vuelva a instalar las cubiertas del extremo del motor y del manóstató.

**ADVERTENCIA | Tensión peligrosa.** Puede causar choques, quemaduras o muerte. Conecte el alambre de puesta a tierra antes de conectar los alambres de suministro de corriente. Use el cable del tamaño especificado en la tabla de cableado (incluyendo el alambre de puesta a tierra). Si es posible, conecte la bomba a un circuito separado de derivación sin ningún otro artefacto en el mismo.

**ADVERTENCIA | Peligro de explosión.** No haga la conexión a tierra en una línea de suministro de gas.

## Conexiones de los cables

**ADVERTENCIA | Peligro de incendio.** Una tensión incorrecta puede causar un incendio o dañar el motor seriamente e invalidará la garantía. La tensión de suministro debe ser entre  $\pm 10\%$  de la tensión especificada en la placa de datos del motor.

**AVISO:** Los motores de doble tensión se pueden configurar para 115V o 230 V. De ser necesario, vuelva a configurar el motor a la tensión deseada, según se ilustra. No modifique el cableado en los motores de tensión singular.

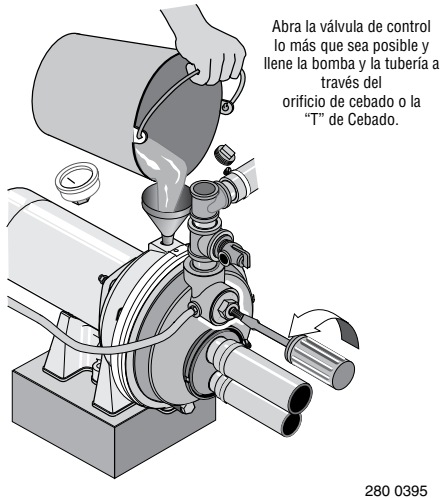
Instale, ponga a tierra, conecte los alambres y mantenga su bomba conforme al Código Nacional de Electricidad (NEC) o al Código Canadiense de Electricidad (CEC), según corresponda, y conforme a todos los códigos y normas locales que correspondan. Consulte con su inspector local de construcciones para obtener información sobre los códigos.

## Procedimiento para las conexiones:

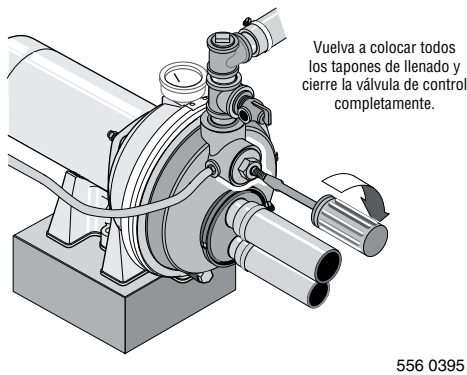
1. Conecte el alambre de puesta a tierra primero según se ilustra en la Figura 8. El alambre de puesta a tierra debe ser un alambre de cobre sólido por lo menos tan grande como los alambres de suministro de corriente.
2. Debe haber una conexión metálica sólida entre el conmutador a presión y el motor para brindar protección a tierra para el motor. Si el conmutador a presión no está conectado al motor, conecte el tornillo de puesta a tierra verde en el conmutador al tornillo de puesta a tierra verde debajo de la tapa de extremo del motor. Use un alambre de cobre sólido que sea por lo menos tan grande como los alambres de suministro de corriente.
3. Conecte el alambre de puesta a tierra a un alambre conectado a tierra del tablero de servicio, a un tubo metálico para agua subterránea, a un entubamiento metálico para pozos de por lo menos 3 metros (10 pies) de largo, o a un electrodo a tierra suministrado por la empresa de energía o hidroeléctrica.
4. Conecte los alambres de suministro de corriente al conmutador de presión según se ilustra en la Figura 8.

## Tabla de conexiones - Cables recomendados y Tamaños de fusibles

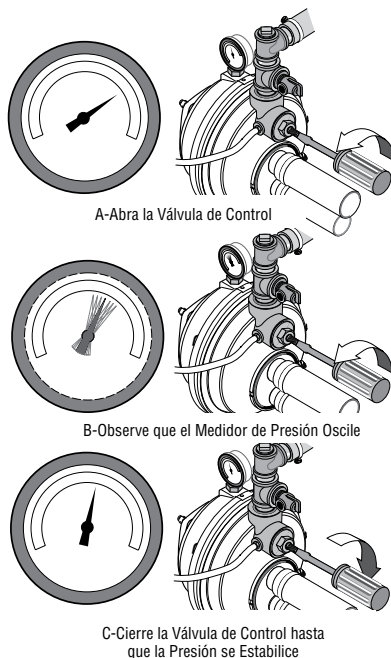
Modelo	HP	Carga Máxima	Fusible de Derivación	Distancia en pies (metros); Calibre del cable AWG (mm <sup>2</sup> )				
				0-100 (0-30)	101-200 (31-61)	201-300 (62-91)	301-400 (92-122)	401-500 (123-152)
<b>115 Voltios:</b>								
PLB	1/3	9.4	15	14 (2)	10 (5.5)	10 (5.5)	6 (14)	6 (14)
PLC	1/2					12.2		
FLC, FSLCH		3/4	12 (3)	8 (8.4)				
PLD	3/4	14.8	20	12 (3)	8 (8.4)	6 (14)	4 (21)	4 (21)
FLD, FSLDH								
PLE	1	19.2	25	10 (5.5)	8 (8.4)	6 (14)	4 (21)	4 (21)
PLF	1-1/2							
<b>230 Voltios:</b>								
PLB	1/3	4.7	15	14 (2)	14 (2)	14 (2)	14 (2)	12(3)
PLC	1/2						6.1	
FLC, FSLCH		3/4	7.4	12 (3)	12 (3)	10 (5.5)		
PLD	3/4	7.4	15	14 (2)	14 (2)	14 (2)	12 (3)	10 (5.5)
FLD, FSLDH								
PLE	1	9.6	25	10 (5.5)	8 (8.4)	6 (14)	4 (21)	4 (21)
PLF	1-1/2							



**Figura 12: Llenado de la bomba**



**Figura 13: Cebado de la bomba**



**Figura 14: Fijación de la válvula de control**

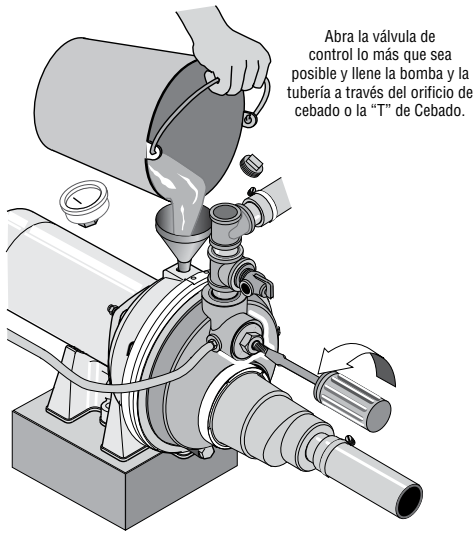
## Cebado

**⚠ ADVERTENCIA | Peligro de explosión.** Nunca ponga a funcionar una bomba hacia una descarga cerrada. Hacerlo puede ocasionar que el agua en el interior de la bomba ebullicione, produciendo una presión peligrosa en la unidad, riesgo de explosión y posibles quemaduras con el agua a la persona que esté manejando la bomba.

**⚠ PRECAUCIÓN | Riesgos de quemaduras.** Nunca ponga a funcionar la bomba en seco. Poner a funcionar la bomba sin agua puede ocasionarle sobre calentamiento, dañar el sello y tal vez causar quemaduras a las personas que la estén manejando. Llene la bomba con agua antes de arrancarla.

1. Abra la válvula de control lo más que sea posible (vea la Figura 12). Después retire el tapón de cebado de la bomba y llénela, llenando toda la tubería entre la bomba y el pozo; asegúrese de que toda la tubería en el pozo esté llena. Si también instaló una "T" de cebado en la tubería de succión, retire el tapón de la "T" y llene la tubería de succión.
2. Vuelva a colocar todos los tapones de llenado y cierre la válvula de control completamente (Figura 13).
3. ¡Enciéndala! Arranque la bomba y observe el medidor de presión. La presión debe aumentar rápidamente a 50 PSI al irse cargando la bomba.
4. Después de 2 ó 3 minutos, el medidor debe indicar la presión. Si no, pare la bomba, retire los tapones de llenado, vuelva a abrir la válvula de control y vuelva a llenar la bomba y la tubería. Posiblemente tendrá que repetir esto dos o tres veces para sacar todo el aire atrapado en la tubería. No olvide cerrar la válvula de control cada vez antes de encender la bomba.
5. Una vez que la presión haya aumentado y se haya estabilizado en aproximadamente 50 PSI, abra lentamente la válvula de control (vea la Figura 14) y permita que la presión caiga hasta que la aguja del medidor de presión comience a oscilar (vea la Figura 14). Ahora su bomba está operando en su punto más eficiente.
6. Después de que la bomba ha producido presión en el sistema y esté apagada, verifique la operación del interruptor de presión abriendo una llave o dos y dejando correr suficiente agua para descargar la presión hasta que la bomba arranque. La bomba debe arrancar cuando la presión caiga a 30 PSI y se debe detener cuando la presión alcance los 50 PSI. Haga funcionar la bomba durante uno o dos ciclos completos para verificar su correcta operación. Esto también le ayudará a limpiar el sistema de polvo y basura producida durante la instalación.
7. (Solamente para bombas Serie PL). Checar fugas alrededor de la banda de las abrazaderas. Si la bomba tiene fuga, apriete la tuerca de la abrazadera 1-2 vueltas. No apriete demasiado.

**AVISO:** Debido a las irregularidades normales de la empaquetadura de cuero y de las paredes interiores de la caja, los obturadores de chorro no forman un sellado perfecto. Con el transcurso del tiempo, en un sistema enclavable, la presión comenzará a fugarse, ocasionando que la bomba tenga ciclos continuos para mantener el nivel de presión del sistema.



Abra la válvula de control lo más que sea posible y llene la bomba y la tubería a través del orificio de cebado o la "T" de Cebado.

284 0395

**Figura 15: Abrir la válvula de control**

## Cebado

**⚠ ADVERTENCIA | Peligro de explosión.** Nunca ponga a funcionar una bomba hacia una descarga cerrada. Hacerlo puede ocasionar que el agua en el interior de la bomba ebullicione, produciendo una presión peligrosa en la unidad, riesgo de explosión y posibles quemaduras con el agua a la persona que esté manejando la bomba.

**⚠ PRECAUCIÓN | Riesgos de quemaduras.** Nunca ponga a funcionar la bomba en seco. Poner a funcionar la bomba sin agua puede ocasionarle sobre calentamiento, dañar el sello y tal vez causar quemaduras a las personas que la estén manejando. Llene la bomba con agua antes de arrancarla.

1. Abra la válvula de control lo más que sea posible (vea la Figura 15). Después retire el tapón de cebado de la bomba y llénela, llenando toda la tubería entre la bomba y el pozo; asegúrese de que toda la tubería en el pozo esté llena. Si también instaló una "T" de cebado en la tubería de succión, retire el tapón de la "T" y llene la tubería de succión.
2. Vuelva a colocar todos los tapones de llenado. Deje abierta la válvula de control (en una instalación para pozo poco profundo, la válvula de control siempre debe mantenerse abierta).
3. ¡Enciéndala! Arranque la bomba. La bomba debe bombear agua después de 2 ó 3 minutos.
4. Si no tiene agua después de 2 ó 3 minutos, pare la bomba y retire todos los tapones de llenado. Vuelva a llenar la bomba y la tubería. Posiblemente tendrá que repetir esto dos o tres veces para sacar todo el aire atrapado en la tubería. La válvula de control se debe mantener abierta durante todo el procedimiento.
5. Después de que la bomba ha producido presión en el sistema y esté apagada, verifique la operación del interruptor de presión abriendo una llave o dos y dejando correr suficiente agua para descargar la presión hasta que la bomba arranque. La bomba debe arrancar cuando la presión caiga a 30 PSI y se debe detener cuando la presión alcance los 50 PSI. Haga funcionar la bomba durando uno o dos ciclos completos para verificar su correcta operación. Esto también le ayudará a limpiar el sistema de polvo y basura producida durante la instalación.
6. (Solamente para bombas Serie PL). Checar fugas alrededor de la banda de las abrazaderas. Si la bomba tiene fuga, apriete la tuerca de la abrazadera 1-2 vueltas. No apriete demasiado.

	<p><b>AVISO</b></p> <p>La bomba y la tubería se dañarán si se congelan y no se han drenado. Siga las instrucciones de preparación para el invierno.</p>
--	---

## Preparación de la bomba para el invierno

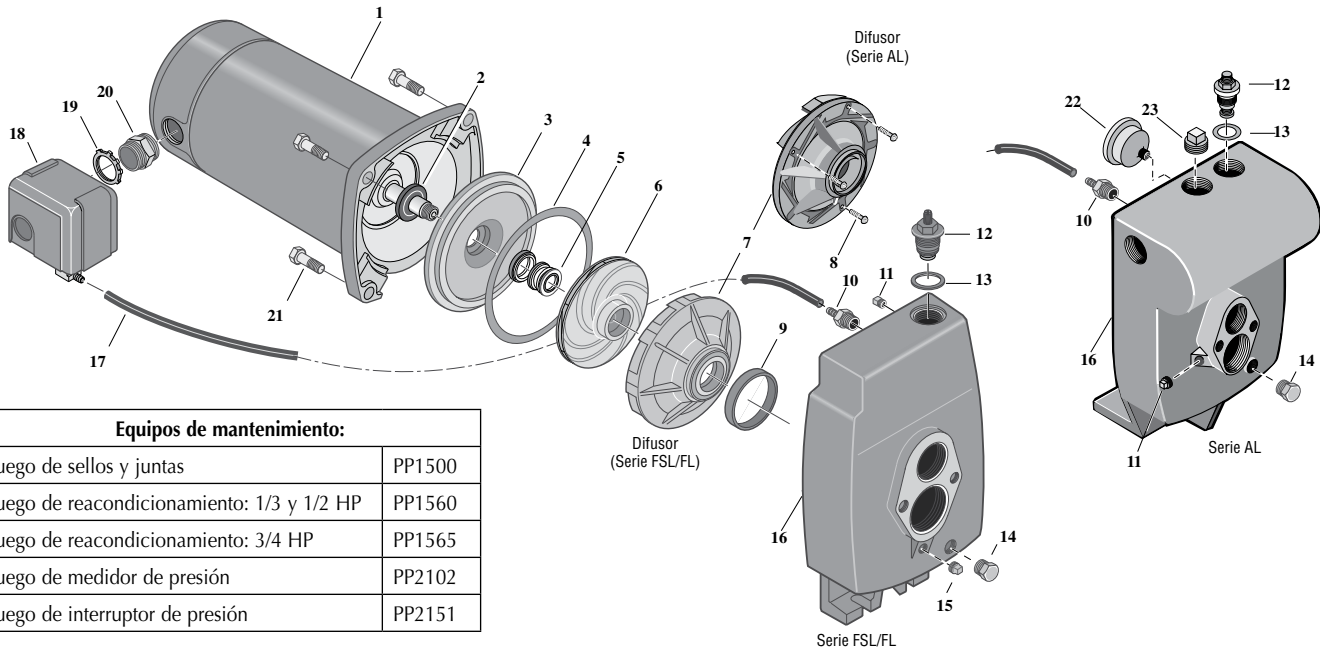
Para preparar la bomba en caso de temperaturas heladas:

1. Corte la alimentación a la bomba.
2. Descargue la presión del sistema. Abra el grifo y drene hasta que el agua deje de correr.
3. Drene la bomba. Es posible que su bomba tenga un tapón de drenaje separado. Saque este tapón y drene.

Es posible que su bomba tenga sólo un tapón o una conexión del lado de la bomba. Saque y drene la bomba. Un poco de agua permanecerá en la bomba. Una pequeña cantidad de agua en la bomba no la perjudicará si se congela.

Síntoma	Causa(s) probable(s)	Acción correctiva
El motor no funciona	El interruptor de desconexión está apagado	Verifique que el interruptor esté encendido.
	El fusible está quemado o el disyuntor se abrió	Reemplace el fusible o reposicione el disyuntor.
	El interruptor de encendido está defectuoso	DESCONECTE LA CORRIENTE ELÉCTRICA; reemplace el interruptor de encendido.
	Los cables en el motor están sueltos, desconectados o conectados incorrectamente	Consulte las instrucciones sobre el cableado (página 39); DESCONECTE LA CORRIENTE ELÉCTRICA; inspeccione y ajuste todo el cableado. <b>⚠ ADVERTENCIA Voltaje peligroso.</b> La tensión del capacitor puede ser peligrosa. Para descargar el capacitor, tome un destornillador con mango aislado POR EL MANGO y haga un corto circuito con los bornes del capacitor. No toque la hoja metálica del destornillador ni los bornes del capacitor. Si tiene alguna duda, consulte con un electricista competente.
El motor se calienta y dispara la sobrecarga	Los contactos del manóstató están sucios	DESCONECTE LA CORRIENTE ELÉCTRICA y lime los contactos con una lima de esmeril o una lima para uñas.
	El motor está cableado incorrectamente	Consulte las instrucciones sobre el cableado.
	La tensión es muy baja	Verifique con la compañía de energía eléctrica. Instale un cableado de mayor calibre si éste es muy pequeño (Ver el Gráfico de Cableado/Electricidad).
El motor funciona pero no sale agua*  * (AVISO: Detenga la bomba: después verifique el cebado antes de buscar otras causas. Destornille el tapón de cebar y vea si hay agua en el orificio de cebado)	Los ciclos de la bomba son muy frecuentes	Consulte la sección a continuación sobre ciclos demasiado frecuentes.
	La bomba en una instalación nueva no recogió el cebado debido a: 1. Cebado inadecuado 2. Fugas de aire 3. Fugas en la válvula de pie o en la válvula de retención	En una instalación nueva: 1. Vuelva a cebarla según las instrucciones. 2. Revise todas las conexiones en la línea de aspiración, en el AVC y en el eyector con agua jabonosa o crema de afeitar. 3. Reemplace la válvula de pie o la válvula de retención.
	La bomba ha perdido cebadura debido a: 1. Fugas de aire 2. Nivel de agua por debajo de la entrada de la tubería de aspiración	En una instalación que ya esté en uso: 1. Inspeccione todas las conexiones en la línea de aspiración y en el sello del eje. 2. Baje la línea de aspiración hacia el agua y vuelva a cebar. Si la disminución del nivel de agua supera los 25 pies (7.6 m), será necesario instalar una bomba para pozo profundo.
	La válvula de pie o el colector están tapados	Limpie la válvula de pie o el colector.
	El eyector o el impulsor están tapados	Limpie el eyector o el impulsor.
	La válvula de retención o la válvula de pie está cerrada y atascada	Reemplace la válvula de retención o la válvula de pie.
	Las tuberías están congeladas	Descongele las tuberías. Entierre las tuberías debajo de la línea de congelación. Caliente el recinto de bombas o el foso.
La válvula de pie y/o el colector están enterrados en arena o en lodo	Eleve la válvula de pie y/o el colector por encima del fondo de la fuente de agua. Limpie la válvula de pie y el colector.	
El nivel de agua es demasiado bajo para que la instalación del pozo poco profundo produzca agua	Se necesitará un paquete de chorro para pozo profundo si su pozo tiene más de 25 pies (7.6 m) de profundidad al agua.	
La bomba no produce agua a toda su capacidad (También verifique el punto 3 de arriba)	El nivel del agua en el pozo profundo es menor que el que se calculó	Es posible que se requiera una nueva combinación de venturi y tobera.
	La tubería de acero (si se utilizó) está corroída u oxidada, ocasionando una fricción excesiva	Reemplace con tubería de plástico donde sea posible, o de lo contrario con tubería nueva de acero.
	El tamaño de la tubería es muy pequeño	Utilice una tubería acodada más grande.
La bomba entrega agua pero no se apaga o los ciclos de bombeo son demasiado frecuentes	El manóstató está desajustado o los contactos están soldados juntos	DESCONECTE LA CORRIENTE ELÉCTRICA; ajuste o reemplace el manóstató.
	Se dejaron las llaves abiertas	Cierre las llaves.
	El venturi, la tobera o el impulsor están tapados	Limpie el venturi, la tobera o el impulsor.
	El tanque de presión estándar está inundado y no tiene amortiguador de aire	Drene el tanque a la abertura de regulador de volumen de aire. Verifique que el AVC no presente defectos. Verifique que no haya fugas de aire en ninguna conexión.
	Las tuberías presentan fugas	Inspeccione las conexiones.
	Las válvulas de pie presentan fugas	Reemplace la válvula de pie.
	El manóstató está desajustado	Ajuste o reemplace el manóstató.
	La carga de aire es demasiado baja en el tanque precargado	DESCONECTE LA CORRIENTE ELÉCTRICA y abra las llaves hasta que se haya liberado la presión. Mida la presión del aire en el tanque con un manómetro para neumáticos en el vástago de la válvula que se encuentra en el tanque. Si la presión es menor que la del disparo del manóstató (30-50 PSI), bombee aire hacia el tanque desde una fuente externa hasta que la presión del aire sea 2 PSI menos que la presión de disparo del interruptor. Verifique que no haya fugas en la válvula de aire (utilice una solución jabonosa) y reemplace el núcleo si fuese necesario.
Sale aire de los grifos	La bomba está cebando	Cuando la válvula está cebando, debería bombar sólo agua, sin aire.
	Fuga del lado de la aspiración de la bomba	La tubería de aspiración está aspirando aire. Verifique que no haya fugas en las juntas usando agua jabonosa.
	El pozo es gaseoso	Consulte a la fábrica sobre la instalación de una camisa en el pozo.
	Sobre-bombeo intermitente del pozo, (aspiración adicional de agua por debajo de la válvula de pie)	Baje la válvula de pie si es posible, de lo contrario, restrinja la descarga de la bomba.



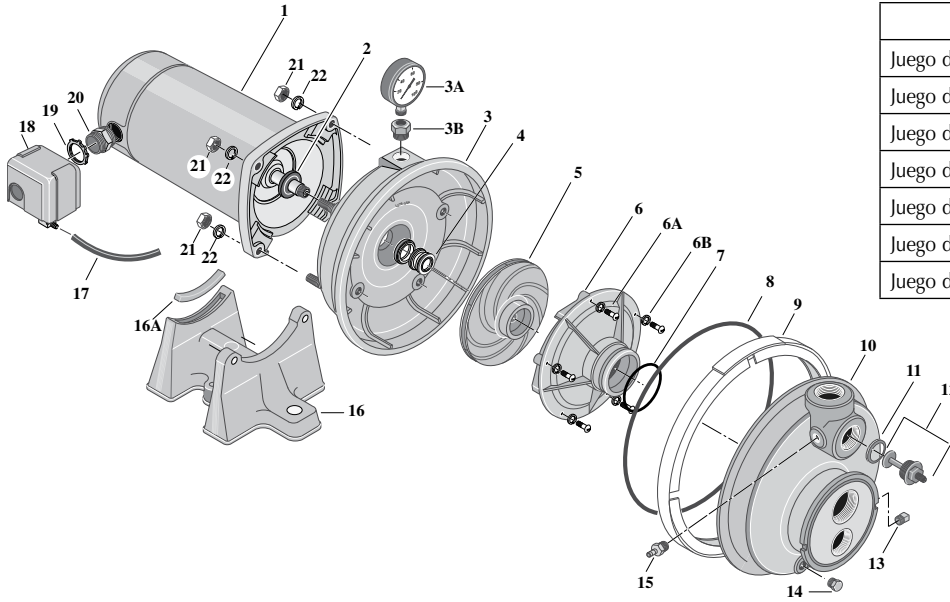


Equipos de mantenimiento:	
Juego de sellos y juntas	PP1500
Juego de reacondicionamiento: 1/3 y 1/2 HP	PP1560
Juego de reacondicionamiento: 3/4 HP	PP1565
Juego de medidor de presión	PP2102
Juego de interruptor de presión	PP2151

**Lista de partes de reemplazo – Bombas Jet de hierro fundido**

Ref.	Descripción	Cant.	FSLCH-L, FLC-L 1/2 HP	FSLDH-L, FLD-L 3/4 HP
1	Motor	1	J218-582A-115-PKG	A100DLL
2	Filtro de agua	1	17351-0009	17351-0009
3	Placa de sello	1	N3-1043P	N3-1043P
4	Junta de placa de sello	1	N20-35	N20-35
5	Sello de eje	1	U109-6A	U109-6A
6	Impulsor	1	J105-40P	J105-86P
7	Difusor	1	L1-25P	L1-48P
8	Tornillo difusor	3	-	-
9	Aro tórico del difusor	1	L21-1	L21-1
10	Conexión con púas, st.	1	U111-211T	U111-211T
11	Tapón de cebado de 1/8"	1	U78-56ZPS	U78-56ZPS
12	Conjunto de válvula de control	1	01322	01322
13	Junto de válvula de control	1	L20-39	L20-39
14	Tapón de drenaje		U78-941ZPV	U78-941ZPV
15	Tapón para tubo	1	U78-959T	U78-959T
16	Cuerpo de bomba	1	L76-44	L76-44
17	Tubo de interruptor	1	U37-672P	U37-672P
•	Conexión con púas, el.	1	-	-
18	Interruptor de presión	1	U217-1202	U217-1202
19	Contratuerca	1	U36-112ZP	U36-112ZP
20	Conector	1	L43-5C	L43-5C
21	Prisionero largo de 3/8 x 16 x 1-1/2	4	U30-75ZP	U30-75ZP
22	Medidor de presión		-	-
23	Tapón de cebado de 1/2"	1	-	-

• No ilustrado.



Equipos de mantenimiento:	
Juego de sellos y juntas	PP1500
Juego de reacondicionamiento: 1/3 y 1/2 HP	PP1560
Juego de reacondicionamiento: 3/4 HP	PP1565
Juego de reacondicionamiento: 1 HP	PP1566
Juego de reacondicionamiento: 1 1/2 HP	PP1564
Juego de medidor de presión	PP2102
Juego de interruptor de presión	PP2151

## Lista de partes de reemplazo – Modelos resistentes a la corrosión

Ref.	Descripción	Cant.	PLB-2L 1/3 HP	PLC-2L 1/2 HP	PLD-2L 3/4 HP	PLE-2L 1 HP	PLF-2L 1-1/2 HP
1	Motor	1	J218-582A-115-PKG	J218-582A-115-PKG	A100DLL	A100ELL	A100FLL
2	Filtro de agua	1	17351-0009	17351-0009	17351-0009	17351-0009	17351-0009
3	Placa de sello	1	L176-47P	L176-47P	L176-47P	L176-47P	L176-47P
3A	Medidor de presión	1	U239-3	U239-3	U239-3	U239-3	U239-3
3B	Reductor, 1/2x1/8 NPT	1	U78-107PT	U78-107PT	U78-107PT	U78-107PT	U78-107PT
4	Sello de eje	1	U109-6A	U109-6A	U109-6A	U109-6A	U109-6A
5	Impulsor	1	J105-40PE	J105-40PE	J105-42PT	J105-8PAN	J105-22PA
6	Difusor	1	J1-39P	J1-39P	J1-39P	J1-40P	J1-40PA
6A	Tornillo difusor	5	U30-542SS	U30-542SS	U30-542SS	U30-542SS	U30-542SS
6B	Arandela, #8	5	U43-21SS	U43-21SS	U43-21SS	U43-21SS	U43-21SS
7	Aro tórico del difusor	1	U9-199	U9-199	U9-199	U9-199	L21-1
8	Aro tórico, unidad de la a brazadera en V	1	U9-399	U9-399	U9-399	U9-399	U9-399
9	Unidad de la abrazadera en V	1	C19-54SS	C19-54SS	C19-54SS	C19-54SS	-
10	Cuerpo de bomba	1	L76-37P	L76-37P	L76-37P	L76-37P	L76-37P
11	Junto de válvula de control	1	L20-40	L20-40	L20-40	L20-40	L20-40
12	Conjunto de válvula de control	1	J198-20	J198-20	J198-20	J198-20	J198-20
13	Tapón de cebado	1	WC78-41T	WC78-41T	WC78-41T	WC78-41T	WC78-41T
14	Tapón de drenaje	1	U78-941ZPV	U78-941ZPV	U78-941ZPV	U78-941ZPV	U78-941ZPV
15	Conexión con púas, st.	1	U111-211T	U111-211T	U111-211T	U111-211T	U111-211T
16	Base	1	C4-42P	C4-42P	C4-42P	C4-42P	C4-42P
16A	Cojinete del motor	1	C35-11	C35-11	C35-11	C35-11	C35-11
17	Tubo de interruptor	1	U37-671P	U37-671P	U37-671P	U37-671P	U37-677P
•	Conexión con púas, el.	1	U111-212T	-	-	-	-
18	Interruptor de presión	1	U217-1216	U217-1202	U217-1202	U217-1202	U217-1202
19	Contratuerca	1	U36-112ZP	U36-112ZP	U36-112ZP	U36-112ZP	U36-112ZP
20	Conector	1	L43-5C	L43-5C	L43-5C	L43-5C	L43-5C
21	Tuerca hexagonal, 5/16 - 18	4	U36-37ZP	U36-37ZP	U36-37ZP	U36-37ZP	U30-75ZP
22	Arandela, 5/16	2	U43-61ZP	U43-61ZP	U43-61ZP	U43-61ZP	U43-61ZP

• No ilustrado.

This page intentionally left blank

